

UNICARRIERS[®]

□ FORKLIFT □



Platinum II[®] Series

Engine Powered Forklifts

Gas, LP, Dual Fuel

3,000 - 8,000 lbs. Capacities | Cushion Tire



S P E C I F I C A T I O N S

MAIN TRUCK SPECIFICATIONS

| CHARACTERISTICS | 1 | Manufacturer's Name | | UniCarriers | UniCarriers | UniCarriers | | |
|------------------|-------------|------------------------|------------------------------|-----------------------------|--------------------|---------------------|---------------------|---------------------|
| | 2 | Model | Model designation | CF30 | CF35 | CFS40 | | |
| | 3 | Long Model Code | | MCP1F1A15LV / DV | MCP1F1A18LV / DV | MCP1F1A20LV / DV | | |
| | 4 | Rated Load Capacity | | lb (kg) | 3000 (1350) | 3500 (1600) | 4000 (1800) | |
| | 5 | Load Center | Distance | in (mm) | 24 (600) | 24 (600) | 24 (600) | |
| | 6 | Power Type | | | LP - G/LP | LP - G/LP | LP - G/LP | |
| | 7 | Operator Orientation | | | Sit | Sit | Sit | |
| DIMENSIONS | 8 | Tire Type | Front & rear | | Cushion | Cushion | Cushion | |
| | 9 | Wheels | Number (x=driven) front/rear | | 2 x / 2 | 2 x / 2 | 2 x / 2 | |
| | 10 | Mast | Maximum fork height | in (mm) | 130 (3300) | 130 (3300) | 130 (3300) | |
| | 11 | | Standard freelif | in (mm) | 4 (100) | 4 (100) | 4 (100) | |
| | 12 | Forks | Thickness & width | in (mm) | 1.5 x 4 (40x100) | 1.5 x 4 (40x100) | 1.5 x 4 (40x100) | |
| | 13 | | Length | in (mm) | 42 (1070) | 42 (1070) | 42 (1070) | |
| | 14 | Tilt Angle | Standard mast - fwd/back | degree | 5/10 | 5/10 | 5/10 | |
| | 15 | Overall Dimensions | Length (to face of forks) | in (mm) | 81.9 (2080) | 83.1 (2110) | 84.4 (2145) | |
| | 16 | | Width (standard tires) | in (mm) | 38.2 (970) | 38.2 (970) | 38.2 (970) | |
| | 17 | | Mast lowered (OHL) | in (mm) | 82.9 (2105) | 82.9 (2105) | 82.9 (2105) | |
| | 18 | | Mast extended with LBR | in (mm) | 179.3 (4555) | 179.3 (4555) | 179.3 (4555) | |
| | 19 | | Height - top of OHG | in (mm) | 81.1 (2060) | 81.1 (2060) | 81.1 (2060) | |
| | 20 | | Height - top of standard LBR | in (mm) | 48 (1220) | 48 (1220) | 48 (1220) | |
| | 21 | | Width - standard carriage | in (mm) | 32.4 (825) | 32.4 (825) | 32.4 (825) | |
| | 22 | Grade Clearance | Ramp breakover angle | tan % | 43 | 43 | 43 | |
| | 23 | | Departure angle | tan % | 35 | 30 | 28 | |
| | 24 | | Approach angle | tan % | 26 | 26 | 26 | |
| | 25 | Turning Radius | Minimum outside | in (mm) | 68.3 (1735) | 69.5 (1765) | 70.9 (1800) | |
| | 26 | Overhang | Front | in (mm) | 15.4 (390) | 15.4 (390) | 15.4 (390) | |
| | 27 | | Rear | in (mm) | 19.7 (500) | 20.9 (530) | 22.2 (565) | |
| | 28 | Min Right Angle Stack | Add load length & clearance | in (mm) | 83.7 (2125) | 84.9 (2155) | 86.3 (2190) | |
| | PERFORMANCE | 29 | Speeds Maximum | Travel - forward or reverse | mph (kmh) | 10.9 (17.5) | 10.9 (17.5) | 10.9 (17.5) |
| | | 30 | | Lift - full/empty | fpm (mm/sec) | 122/127.9 (620/650) | 122/127.9 (620/650) | 122/127.9 (620/650) |
| | | 31 | | Lowering - full/empty | fpm (mm/sec) | 98.4 (500) | 98.4 (500) | 98.4 (500) |
| | | 32 | Drawbar Pull Max | Full load | lb (kg) | 3417 (1550) | 3417 (1550) | 3417 (1550) |
| | | 33 | | Empty | lb (kg) | 1543 (700) | 1543 (700) | 1543 (700) |
| | | 34 | Gradeability Max (1.2 mph) | Full/empty | tan % | 38 / 20 | 38 / 18 | 38 / 16 |
| | WEIGHT | 35 | Truck Weight | Standard tires - no load | lb (kg) | 5980 (2710) | 6420 (2910) | 6830 (3100) |
| 36 | | Weight Distribution | Front axle - empty | lb (kg) | 2200 (995) | 2045 (925) | 1880 (855) | |
| 37 | | | Rear axle - empty | lb (kg) | 3780 (1715) | 4375 (1985) | 4950 (2245) | |
| 38 | | | Front axle - with rated load | lb (kg) | 7720 (3620) | 8485 (3985) | 9240 (4350) | |
| 39 | | | Rear axle - with rated load | lb (kg) | 1260 (590) | 1435 (675) | 1590 (750) | |
| CHASSIS & WHEELS | 40 | Tire Size | Front | | 18 x 6 x 12.13 | 18 x 6 x 12.13 | 18 x 6 x 12.13 | |
| | 41 | | Rear | | 14 x 5 x 10 | 14 x 5 x 10 | 14 x 5 x 10 | |
| | 42 | Wheelbase | | in (mm) | 46.9 (1190) | 46.9 (1190) | 46.9 (1190) | |
| | 43 | Tread - Center of Tire | Front / rear | in (mm) | 32.3 (820) | 32.3 (820) | 32.3 (820) | |
| | 44 | Headroom | SIP to bottom of OHG | in (mm) | 42.1 (1070) | 42.1 (1070) | 42.1 (1070) | |
| | 45 | Counterweight Height | | in (mm) | 45.3 (1150) | 45.1 (1145) | 45.1 (1145) | |
| | 46 | Step Height | | in (mm) | 17.1 (435) | 17.1 (435) | 17.1 (435) | |
| | 47 | Ground Clearance | Under mast | in (mm) | 3.0 (75) | 3.0 (75) | 3.0 (75) | |
| | 48 | | Under power unit | in (mm) | 2.6 (65) | 2.6 (65) | 2.6 (65) | |
| | 49 | | Under frame (WB center) | in (mm) | 4.3 (110) | 4.3 (110) | 4.3 (110) | |
| | 50 | Service Brake | Type | | Drum and Shoe | Drum and Shoe | Drum and Shoe | |
| | 51 | Parking Brake | Type | | Hand | Hand | Hand | |
| | 52 | Steering | Type | | Full Hydraulic | Full Hydraulic | Full Hydraulic | |
| DRIVE LINE | 53 | Engine | Model | | K21 | K21 | K21 | |
| | 54 | Rated Output | SAE gross | hp (kW) @ rpm | 55 (41) @ 2700 | 55 (41) @ 2700 | 55 (41) @ 2700 | |
| | 55 | Rated Torque | SAE gross | ft-lb (Nm) @ rpm | 111.4 (151) @ 2000 | 111.4 (151) @ 2000 | 111.4 (151) @ 2000 | |
| | 56 | Displacement | | cu in (cm ³) | 126 (2065) | 126 (2065) | 126 (2065) | |
| | 57 | Transmission | Type | | Automatic | Automatic | Automatic | |
| | 58 | | Number speeds - fwd/rev | | 1/1 | 1/1 | 1/1 | |

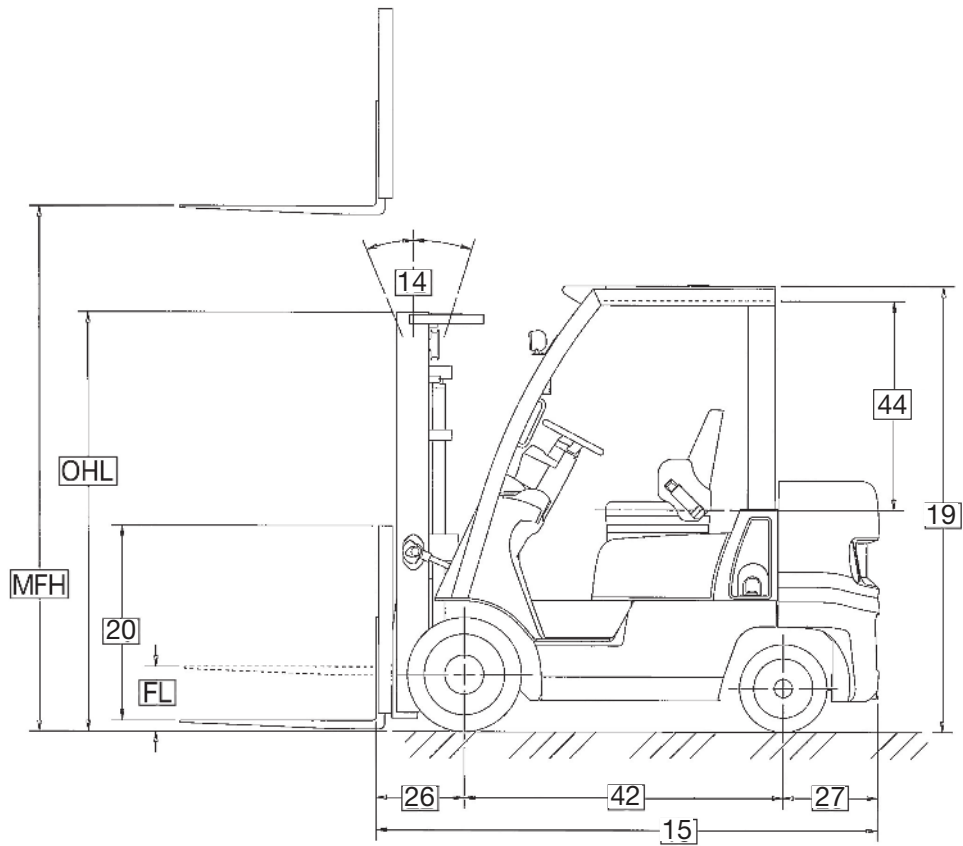
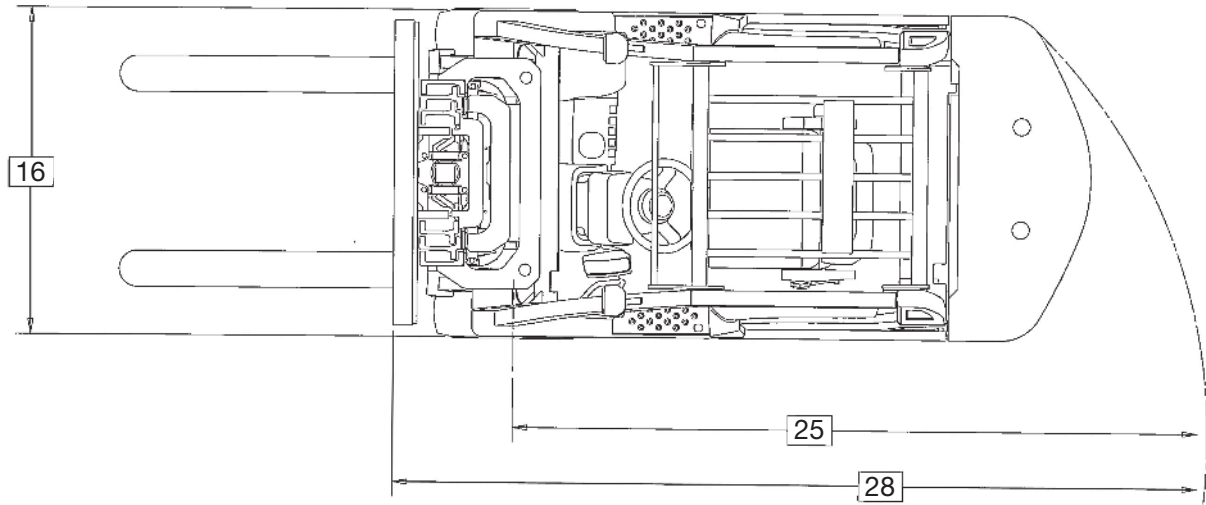
MAIN TRUCK SPECIFICATIONS

| CHARACTERISTICS | 1 | Manufacturer's Name | | UniCarriers | UniCarriers | UniCarriers | UniCarriers |
|------------------|-----------------------|-----------------------------|------------------------------|--------------------------|---------------------|-----------------------|-----------------------|
| | 2 | Model | Model designation | CF40 | CFU40 | CF50 | CFU50 |
| | 3 | Long Model Code | | MCP1F2A20JV / LV / DV | MCU1F2A20LV / DV | MCP1F2A25JV / LV DV | MCU1F2A25LV / DV |
| | 4 | Rated Load Capacity | lb (kg) | 4000 (1800) | 4000 (1800) | 5000 (2250) | 5000 (2250) |
| | 5 | Load Center | Distance | in (mm) | 24 (600) | 24 (600) | 24 (600) |
| | 6 | Power Type | | | G - LP - G/LP | LP - G/LP | G - LP - G/LP |
| | 7 | Operator Orientation | | | Sit | Sit | Sit |
| DIMENSIONS | 8 | Tire Type | Front & rear | | Cushion | Cushion | Cushion |
| | 9 | Wheels | Number (x=driven) front/rear | | 2 x / 2 | 2 x / 2 | 2 x / 2 |
| | 10 | Mast | Maximum fork height | in (mm) | 130 (3300) | 130 (3300) | 130 (3300) |
| | 11 | | Standard freelif | in (mm) | 4.2 (105) | 4.2 (105) | 4.2 (105) |
| | 12 | Forks | Thickness & width | in (mm) | 1.5 x 4 (40x100) | 1.5 x 4 (40x100) | 1.5 x 4 (40x100) |
| | 13 | | Length | in (mm) | 42 (1070) | 42 (1070) | 42 (1070) |
| | 14 | Tilt Angle | Standard mast - fwd/back | degree | 5/10 | 5/10 | 5/10 |
| | 15 | Overall Dimensions | Length (to face of forks) | in (mm) | 89 (2260) | 89 (2260) | 91.3 (2320) |
| | 16 | | Width (standard tires) | in (mm) | 42.1 (1070) | 42.1 (1070) | 42.1 (1070) |
| | 17 | | Mast lowered (OHL) | in (mm) | 83.1 (2110) | 83.1 (2110) | 83.1 (2110) |
| | 18 | | Mast extended with LBR | in (mm) | 179.3 (4555) | 179.3 (4555) | 179.3 (4555) |
| | 19 | | Height - top of OHG | in (mm) | 82.1 (2085) | 82.1 (2085) | 82.1 (2085) |
| | 20 | | Height - top of standard LBR | in (mm) | 48 (1220) | 48 (1220) | 48 (1220) |
| | 21 | | Width - standard carriage | in (mm) | 36.2 (920) | 36.2 (920) | 36.2 (920) |
| | 22 | Grade Clearance | Ramp breakover angle | tan % | 42 | 42 | 42 |
| | 23 | | Departure angle | tan % | 34 | 34 | 30 |
| | 24 | | Approach angle | tan % | 29 | 29 | 26 |
| | 25 | Turning Radius | Minimum outside | in (mm) | 76 (1930) | 76 (1930) | 78.3 (1990) |
| | 26 | Overhang | Front | in (mm) | 16.1 (410) | 16.1 (410) | 16.1 (410) |
| | 27 | | Rear | in (mm) | 17.7 (450) | 17.7 (450) | 20.1 (510) |
| 28 | Min Right Angle Stack | Add load length & clearance | in (mm) | 92.1 (2340) | 92.1 (2340) | 94.4 (2400) | |
| PERFORMANCE | 29 | Speeds Maximum | Travel - forward or reverse | mph (kmh) | 10.6 (17) | 10.6 (17) | 10.6 (17) |
| | 30 | | Lift - full/empty | fpm (mm/sec) | 122/127.9 (620/650) | 129.9/137.8 (660/700) | 118.1/127.9 (600/650) |
| | 31 | | Lowering - full/empty | fpm (mm/sec) | 98.4 (500) | 98.4 (500) | 98.4 (500) |
| | 32 | Drawbar Pull Max | Full load | lb (kg) | 3638 (1650) | 4189 (1900) | 3638 (1650) |
| | 33 | | Empty | lb (kg) | 1870 (850) | 1870 (850) | 1764 (800) |
| | 34 | Gradeability Max (1.2 mph) | Full/empty | tan % | 33 / 21 | 39 / 21 | 28 / 16 |
| WEIGHT | 35 | Truck Weight | Standard tires - no load | lb (kg) | 7130 (3235) | 7130 (3235) | 7940 (3600) |
| | 36 | Weight Distribution | Front axle - empty | lb (kg) | 2815 (1275) | 2815 (1275) | 2590 (1175) |
| | 37 | | Rear axle - empty | lb (kg) | 4315 (1960) | 4315 (1960) | 5350 (2425) |
| | 38 | | Front axle - with rated load | lb (kg) | 9730 (4575) | 9730 (4575) | 11375 (5360) |
| | 39 | | Rear axle - with rated load | lb (kg) | 1400 (660) | 1400 (660) | 1565 (740) |
| CHASSIS & WHEELS | 40 | Tire Size | Front | | 21 x 7 x 15 | 21 x 7 x 15 | 21 x 7 x 15 |
| | 41 | | Rear | | 16.25 x 6 x 11.25 | 16.25 x 6 x 11.25 | 16.25 x 6 x 11.25 |
| | 42 | Wheelbase | | in (mm) | 55.1 (1400) | 55.1 (1400) | 55.1 (1400) |
| | 43 | Tread - Center of Tire | Front / rear | in (mm) | 35 (890) | 35 (890) | 35 (890) |
| | 44 | Headroom | SIP to bottom of OHG | in (mm) | 42.1 (1070) | 42.1 (1070) | 42.1 (1070) |
| | 45 | Counterweight Height | | in (mm) | 45.9 (1165) | 45.9 (1165) | 45.9 (1165) |
| | 46 | Step Height | | in (mm) | 16.5 (420) | 16.5 (420) | 16.5 (420) |
| | 47 | Ground Clearance | Under mast | in (mm) | 3.1 (80) | 3.1 (80) | 3.1 (80) |
| | 48 | | Under power unit | in (mm) | 4.1 (105) | 4.1 (105) | 4.1 (105) |
| | 49 | | Under frame (WB center) | in (mm) | 5.5 (140) | 5.5 (140) | 5.5 (140) |
| | 50 | Service Brake | Type | | Drum and Shoe | Drum and Shoe | Drum and Shoe |
| | 51 | Parking Brake | Type | | Hand | Hand | Hand |
| | 52 | Steering | Type | | Full Hydraulic | Full Hydraulic | Full Hydraulic |
| DRIVE LINE | 53 | Engine | Model | | K21 | K25 | K21 |
| | 54 | Rated Output | SAE gross | hp (kW) @ rpm | 55 (41) @ 2700 | 62.9 (46.9) @ 2700 | 55 (41) @ 2700 |
| | 55 | Rated Torque | SAE gross | ft-lb (Nm) @ rpm | 111.4 (151) @ 2000 | 138.7 (188) @ 1600 | 111.4 (151) @ 2000 |
| | 56 | Displacement | | cu in (cm ³) | 126 (2065) | 151.8 (2488) | 126 (2065) |
| | 57 | Transmission | Type | | Automatic | Automatic | Automatic |
| | 58 | | Number speeds - fwd/rev | | 1/1 | 1/1 | 1/1 |

MAIN TRUCK SPECIFICATIONS

| 1 | UniCarriers | UniCarriers | UniCarriers | UniCarriers | UniCarriers | UniCarriers | UniCarriers | UniCarriers |
|----|-----------------------|-----------------------|-----------------------|----------------------------|---------------------|----------------------------|----------------------------|----------------------------|
| 2 | CF55 | CFU55 | CFS60 | CF60 | CFS65 | CF70 | CF80 | CF80 Boxcar |
| 3 | MCP1F2A28JV / LV / DV | MCU1F2A28LV / DV | MCU1F2A30LV / DV | MCUG1F2F30LV / DV | MCU1F2A33LV / DV | MCUG1F2F35LV / DV | MCUG1F2F36LV / DV | MCUG1F2F36LV / DV |
| 4 | 5500 (2500) | 5500 (2500) | 6000 (2700) | 6000 (2700) | 6500 (2900) | 7000 (3150) | 8000 (3650) | 8000 (3650) |
| 5 | 24 (600) | 24 (600) | 24 (600) | 24 (600) | 24 (600) | 24 (600) | 24 (600) | 24 (600) |
| 6 | G - LP - G/LP | LP - G/LP | LP - G/LP | LP - G/LP | LP - G/LP | LP - G/LP | LP - G/LP | LP - G/LP |
| 7 | Sit | Sit | Sit | Sit | Sit | Sit | Sit | Sit |
| 8 | Cushion | Cushion | Cushion | Cushion | Cushion | Cushion | Cushion | Cushion |
| 9 | 2 x / 2 | 2 x / 2 | 2 x / 2 | 2 x / 2 | 2 x / 2 | 2 x / 2 | 2 x / 2 | 2 x / 2 |
| 10 | 130 (3300) | 130 (3300) | 130 (3300) | 130 (3300) | 122 (3100) | 122 (3100) | 122 (3100) | 122 (3100) |
| 11 | 6.7 (175) | 6.7 (175) | 7.1 (180) | 7.1 (180) | 7.1 (180) | 7.1 (180) | 7.1 (180) | 7.1 (180) |
| 12 | 1.5 x 4 (40 x 100) | 1.5 x 4 (40 x 100) | 2 x 5 (50 x 125) | 2 x 5 (50 x 125) | 2 x 5 (50 x 125) | 2 x 5 (50 x 125) | 2 x 5 (50 x 125) | 2 x 5 (50 x 125) |
| 13 | 42 (1070) | 42 (1070) | 42 (1070) | 42 (1070) | 42 (1070) | 42 (1070) | 42 (1070) | 42 (1070) |
| 14 | 5/10 | 5/10 | 5/10 | 5/10 | 5/10 | 5/10 | 5/10 | 5/10 |
| 15 | 93.9 (2385) | 93.9 (2385) | 95.3 (2420) | 96.5 (2450) | 96.3 (2445) | 98.2 (2495) | 100 (2540) | 94.4 (2400) |
| 16 | 43.1 (1095) | 43.1 (1095) | 43.1 (1095) | 43.9 (1115) | 43.9 (1115) | 45.9 (1165) | 45.9 (1165) | 45.9 (1165) |
| 17 | 82.7 (2100) | 82.7 (2100) | 82.7 (2100) | 83.1 (2110) | 82.7 (2100) | 83.1 (2110) | 83.1 (2110) | 83.1 (2110) |
| 18 | 179.3 (4555) | 179.3 (4555) | 179.3 (4555) | 175 (4445) | 178.5 (4535) | 178.7 (4540) | 178.7 (4540) | 178.7 (4540) |
| 19 | 82.1 (2085) | 82.1 (2085) | 82.1 (2085) | 82.3 (2090) | 82.1 (2085) | 82.3 (2090) | 82.3 (2090) | 82.3 (2090) |
| 20 | 48 (1220) | 48 (1220) | 48 (1220) | 48 (1220) | 48 (1220) | 48 (1220) | 48 (1220) | 48 (1220) |
| 21 | 40.2 (1020) | 40.2 (1020) | 40.2 (1020) | 40.2 (1020) | 40.2 (1020) | 40.2 (1020) | 40.2 (1020) | 40.2 (1020) |
| 22 | 42 | 42 | 42 | 44 | 42 | 44 | 44 | 44 |
| 23 | 28 | 28 | 27 | 35 | 26 | 32 | 32 | 41 |
| 24 | 26 | 26 | 26 | 24 | 26 | 24 | 24 | 24 |
| 25 | 79.5 (2020) | 79.5 (2020) | 80.7 (2050) | 80.9 (2055) | 81.5 (2070) | 82.5 (2095) | 83.9 (2130) | 79.9 (2030) |
| 26 | 17.3 (440) | 17.3 (440) | 17.7 (450) | 17.1 (435) | 17.7 (450) | 17.9 (455) | 17.9 (455) | 17.9 (455) |
| 27 | 21.5 (545) | 21.5 (545) | 22.4 (570) | 20.1 (510) | 23.4 (595) | 21.3 (540) | 23 (585) | 17.5 (445) |
| 28 | 96.8 (2460) | 96.8 (2460) | 98.4 (2500) | 98.0 (2490) | 99.2 (2520) | 100.4 (2550) | 101.8 (2585) | 97.8 (2485) |
| 29 | 10.6 (17) | 10.6 (17) | 10.6 (17) | 11.5(18.5) fwd/9.9(16) rev | 10.6 (17) | 11.5(18.5) fwd/9.9(16) rev | 11.5(18.5) fwd/9.9(16) rev | 11.5(18.5) fwd/9.9(16) rev |
| 30 | 94.5/102.4 (480/520) | 104.3/110.2 (530/560) | 104.3/110.2 (530/560) | 104.3/110.2 (530/560) | 88.6/92.5 (450/470) | 88.6/92.5 (450/470) | 88.6/92.5 (450/470) | 88.6/92.5 (450/470) |
| 31 | 98.4 (500) | 98.4 (500) | 98.4 (500) | 98.4 (500) | 82.7/70.9 (420/360) | 82.7/70.9 (420/360) | 82.7/70.8 (420/360) | 82.7/70.8 (420/360) |
| 32 | 3638 (1650) | 4189 (1900) | 4189 (1900) | 3009 (1365) | 4189 (1900) | 6228 (2825) | 6228 (2825) | 6228 (2825) |
| 33 | 1653 (750) | 1653 (750) | 1764 (800) | 2535 (1150) | 1764 (800) | 2425 (1100) | 2425 (1100) | 2425 (1100) |
| 34 | 27 / 16 | 32 / 16 | 28 / 16 | 44 / 18 | 24 / 16 | 38 / 18 | 34 / 15 | 34 / 15 |
| 35 | 8860 (4015) | 8860 (4015) | 9350 (4240) | 9610 (4360) | 9825 (4455) | 10460 (4740) | 11150 (5055) | 11515 (5225) |
| 36 | 2705 (1225) | 2705 (1225) | 2790 (1265) | 3450 (1565) | 2755 (1250) | 3365 (1525) | 3150 (1425) | 3385 (1535) |
| 37 | 6155 (2790) | 6155 (2790) | 6560 (2975) | 6160 (2795) | 7070 (3205) | 7095 (3215) | 8000 (3630) | 8130 (3690) |
| 38 | 12355 (5820) | 12355 (5820) | 13360 (6300) | 13715 (6465) | 14225 (6715) | 15365 (7250) | 16190 (7320) | 17065 (7740) |
| 39 | 2005 (945) | 2005 (945) | 1990 (940) | 1895 (895) | 2100 (990) | 2095 (990) | 2960 (1335) | 2450 (1110) |
| 40 | 21 x 8 x 15 | 21 x 8 x 15 | 21 x 8 x 15 | 22 x 8 x 16 | 21 x 8 x 15 | 22 x 9 x 16 | 22 x 9 x 16 | 22 x 9 x 16 |
| 41 | 16.25 x 6 x 11.25 | 16.25 x 6 x 11.25 | 16.25 x 6 x 11.25 | 18 x 6 x 12.12 | 16.25 x 6 x 11.25 | 18 x 6 x 12.12 | 18 x 6 x 12.12 | 18 x 6 x 12.12 |
| 42 | 55.1 (1400) | 55.1 (1400) | 55.1 (1400) | 59.1 (1500) | 55.1 (1400) | 59.1 (1500) | 59.1 (1500) | 59.1 (1500) |
| 43 | 35.8/35 (910/890) | 35.8/35 (910/890) | 35.8/35 (910/890) | 35.8/36.6 (910/930) | 35.8/35 (910/890) | 37/36.6 (940/930) | 37/36.6 (940/930) | 37/36.6 (940/930) |
| 44 | 42.1 (1070) | 42.1 (1070) | 42.1 (1070) | 42.1 (1070) | 42.1 (1070) | 42.1 (1070) | 42.1 (1070) | 42.1 (1070) |
| 45 | 45.7 (1160) | 45.7 (1160) | 45.7 (1160) | 46.5 (1180) | 45.5 (1155) | 46.4 (1180) | 46.4 (1180) | 50.4 (1280) |
| 46 | 16.5 (420) | 16.5 (420) | 16.5 (420) | 17.1 (435) | 16.5 (420) | 17.1 (435) | 17.1 (435) | 17.1 (435) |
| 47 | 2.8 (70) | 2.8 (70) | 2.8 (70) | 3.1 (80) | 2.8 (70) | 3.1 (80) | 3.1 (80) | 3.1 (80) |
| 48 | 3.5 (90) | 3.5 (90) | 3.5 (90) | 3.7 (95) | 3.5 (90) | 3.7 (95) | 3.7 (95) | 3.7 (95) |
| 49 | 5.5 (140) | 5.5 (140) | 5.5 (140) | 5.7 (145) | 5.5 (140) | 5.7 (145) | 5.7 (145) | 5.7 (145) |
| 50 | Drum and Shoe | Drum and Shoe | Drum and Shoe | Drum and Shoe | Drum and Shoe | Drum and Shoe | Drum and Shoe | Drum and Shoe |
| 51 | Hand | Hand | Hand | Hand | Hand | Hand | Hand | Hand |
| 52 | Full Hydraulic | Full Hydraulic | Full Hydraulic | Full Hydraulic | Full Hydraulic | Full Hydraulic | Full Hydraulic | Full Hydraulic |
| 53 | K21 | K25 | K25 | K25 | K25 | K25 | K25 | K25 |
| 54 | 55 (41) @ 2700 | 62.9 (46.9) @ 2700 | 62.9 (46.9) @ 2700 | 62.9 (46.9) @ 2700 | 62.9 (46.9) @ 2700 | 62.9 (46.9) @ 2700 | 62.9 (46.9) @ 2700 | 62.9 (46.9) @ 2700 |
| 55 | 111.4 (151) @ 2000 | 138.7 (188) @ 1600 | 138.7 (188) @ 1600 | 138.7 (188) @ 1600 | 138.7 (188) @ 1600 | 138.7 (188) @ 1600 | 138.7 (188) @ 1600 | 138.7 (188) @ 1600 |
| 56 | 126 (2065) | 151.8 (2488) | 151.8 (2488) | 151.8 (2488) | 151.8 (2488) | 151.8 (2488) | 151.8 (2488) | 151.8 (2488) |
| 57 | Automatic | Automatic | Automatic | Automatic | Automatic | Automatic | Automatic | Automatic |
| 58 | 1/1 | 1/1 | 1/1 | 2/1 | 1/1 | 2/1 | 2/1 | 2/1 |

DIMENSIONS



MAST SPECIFICATIONS & RATED CAPACITIES

| Mast Name | | Maximum Fork Height | Overall Height Lowered | Free Lift* | Tilt Angle Forward/Backward | Rated Capacity 24 in (600 mm) Load Center | | |
|-------------------------------|------------|---------------------|------------------------|-------------|-----------------------------|---|-------------|-------------|
| | | | | | | CF30 | CF35 | CFS40 |
| | | | | | | lb (kg) | lb (kg) | lb (kg) |
| TWO STAGE (Wide view 2W) | 2W203T | 80 (2030) | 62.1 (1580) | 4.0 (100) | 10/5 | 3000 (1350) | 3500 (1600) | 4000 (1800) |
| | 2W270 | 106 (2700) | 71.1 (1810) | 4.0 (100) | 5/5 | 3000 (1350) | 3500 (1600) | 4000 (1800) |
| | 2W300 | 118 (3000) | 77.0 (1960) | 4.0 (100) | 5/10 | 3000 (1350) | 3500 (1600) | 4000 (1800) |
| | 2W330 | 130 (3300) | 82.9 (2110) | 4.0 (100) | 5/10 | 3000 (1350) | 3500 (1600) | 4000 (1800) |
| | 2W350 | 138 (3500) | 88.2 (2245) | 4.0 (100) | 5/10 | 3000 (1350) | 3500 (1600) | 4000 (1800) |
| | 2W370 | 146 (3700) | 93.1 (2365) | 4.0 (100) | 5/10 | 3000 (1350) | 3500 (1600) | 4000 (1800) |
| | 2W400 | 157 (4000) | 100.6 (2560) | 4.0 (100) | 5/10 | 3000 (1350) | 3500 (1600) | 3900 (1750) |
| | 2W450 | 177 (4500) | 110.5 (2810) | 4.0 (100) | 5/5 | 2900 (1300) | 2700 (1200) | 2950 (1350) |
| 2W500 | 197 (5000) | 120.3 (3060) | 4.0 (100) | 5/5 | 1600 (750) | 1400 (650) | 1700 (750) | |
| TWO STAGE (Full free 2F) | 2F270 | 105.5 (2700) | 72.0 (1830) | 47.4 (1200) | 5/10 | 3000 (1350) | 3500 (1600) | 4000 (1800) |
| | 2F300 | 117.5 (3000) | 78.0 (1985) | 53.4 (1355) | 5/10 | 3000 (1350) | 3500 (1600) | 4000 (1800) |
| | 2F330 | 129.5 (3300) | 84.0 (2135) | 59.4 (1505) | 5/10 | 3000 (1350) | 3500 (1600) | 4000 (1800) |
| | 2F350 | 137.5 (3500) | 88.0 (2235) | 63.4 (1610) | 5/10 | 3000 (1350) | 3500 (1600) | 4000 (1800) |
| | 2F370 | 145.5 (3700) | 92.0 (2340) | 67.4 (1710) | 5/10 | 3000 (1350) | 3500 (1600) | 3950 (1800) |
| | 2F400 | 157.5 (4000) | 98.0 (2490) | 73.4 (1860) | 5/10 | 2950 (1350) | 3450 (1550) | 3800 (1700) |
| THREE STAGE (Full free 3F) | 3F385 | 152 (3850) | 71.1 (1810) | 46.9 (1190) | 5/5 | 2950 (1350) | 3450 (1550) | 3900 (1750) |
| | 3F430 | 169 (4300) | 77.0 (1960) | 52.8 (1340) | 5/5 | 2850 (1300) | 3350 (1500) | 3800 (1700) |
| | 3F475 | 187 (4750) | 82.9 (2110) | 58.7 (1490) | 5/5 | 2750 (1350) | 3200 (1450) | 3650 (1650) |
| | 3F515 | 203 (5150) | 88.2 (2245) | 64.0 (1625) | 5/5 | 2650 (1250) | 3100 (1400) | 3200 (1450) |
| | 3F550 | 217 (5500) | 93.1 (2365) | 68.9 (1750) | 5/5 | 2550 (1150) | 2450 (1100) | 2000 (900) |
| | 3F600 | 236 (6000) | 100.6 (2560) | 76.4 (1940) | 5/5 | 1650 (750) | 1200 (550) | 900 (400) |
| | 3F650 | 256 (6500) | 110.5 (2810) | 86.2 (2185) | 5/5 | 900 (400) | 500 (200) | 200 (100) |
| THREE STAGE (OPTVIEW® 3V) | 3V360 | 142 (3600) | 71.1 (1810) | 47.6 (1205) | 5/5 | 2900 (1300) | 3400 (1550) | 3850 (1750) |
| | 3V405 | 159 (4050) | 77.0 (1960) | 53.5 (1355) | 5/5 | 2850 (1300) | 3350 (1500) | 3750 (1700) |
| | 3V450 | 177 (4500) | 82.9 (2110) | 59.4 (1505) | 5/5 | 2750 (1250) | 3200 (1450) | 3650 (1650) |
| | 3V490 | 193 (4900) | 88.2 (2245) | 64.8 (1645) | 5/5 | 2650 (1200) | 3100 (1400) | 3300 (1500) |
| | 3V525 | 207 (5250) | 93.1 (2365) | 69.7 (1770) | 5/5 | 2550 (1150) | 2450 (1100) | 2400 (1100) |
| | 3V575 | 226 (5750) | 100.6 (2560) | 77.2 (1960) | 5/5 | 1650 (750) | 1200 (550) | 1100 (500) |
| | 3V633 | 249 (6330) | 110.5 (2810) | 87.0 (2205) | 5/5 | 900 (400) | 800 (350) | 600 (250) |

| Mast Name | | Maximum Fork Height | Overall Height Lowered | Free Lift* | Tilt Angle Forward/Backward | Rated Capacity 24 in (600 mm) Load Center |
|-------------------------------|------------|---------------------|------------------------|-------------|-----------------------------|---|
| | | | | | | CF40/CFU40 |
| | | | | | | lb (kg) |
| TWO STAGE (Wide view 2W) | 2W203T | 80 (2030) | 62.1 (1580) | 4.0 (100) | 10/5 | 4000 (1800) |
| | 2W270 | 106 (2700) | 71.3 (1815) | 4.2 (105) | 5/5 | 4000 (1800) |
| | 2W300 | 118 (3000) | 77.2 (1965) | 4.2 (105) | 5/5 | 4000 (1800) |
| | 2W330 | 130 (3300) | 83.1 (2115) | 4.2 (105) | 5/10 | 4000 (1800) |
| | 2W350 | 138 (3500) | 88.4 (2250) | 4.2 (105) | 5/10 | 4000 (1800) |
| | 2W370 | 146 (3700) | 93.3 (2370) | 4.2 (105) | 5/5 | 4000 (1800) |
| | 2W400 | 157 (4000) | 100.8 (2565) | 4.2 (105) | 5/10 | 4000 (1800) |
| | 2W450 | 177 (4500) | 110.6 (2810) | 4.2 (105) | 5/5 | 3850 (1750) |
| 2W500 | 197 (5000) | 120.5 (3065) | 4.2 (105) | 5/5 | 3700 (1700) | |
| TWO STAGE (Full free 2F) | 2F270 | 105.5 (2700) | 72.0 (1830) | 47.4 (1200) | 5/10 | 4000 (1800) |
| | 2F300 | 117.5 (3000) | 78.0 (1985) | 53.4 (1355) | 5/10 | 4000 (1800) |
| | 2F330 | 129.5 (3300) | 84.0 (2135) | 59.4 (1505) | 5/10 | 4000 (1800) |
| | 2F350 | 137.5 (3500) | 88.0 (2235) | 63.4 (1610) | 5/10 | 4000 (1800) |
| | 2F370 | 145.5 (3700) | 92.0 (2340) | 67.4 (1710) | 5/10 | 4000 (1800) |
| | 2F400 | 157.5 (4000) | 98.0 (2490) | 73.4 (1860) | 5/10 | 3900 (1750) |
| THREE STAGE (Full free 3F) | 3F385 | 152.0 (3850) | 71.3 (1815) | 46.9 (1190) | 5/5 | 4000 (1800) |
| | 3F430 | 169.0 (4300) | 77.2 (1965) | 52.8 (1340) | 5/5 | 3850 (1750) |
| | 3F475 | 187.0 (4750) | 83.1 (2115) | 58.7 (1490) | 5/5 | 3700 (1700) |
| | 3F515 | 203.0 (5150) | 88.4 (2250) | 64.0 (1625) | 5/5 | 3600 (1650) |
| | 3F550 | 217.0 (5500) | 93.3 (2370) | 68.9 (1750) | 5/5 | 3400 (1550) |
| | 3F600 | 236.0 (6000) | 100.8 (2565) | 76.4 (1940) | 5/5 | 2700 (1200) |
| | 3F650 | 256.0 (6500) | 110.6 (2810) | 86.2 (2185) | 5/5 | 2000 (900) |
| | 3F700 | 276.0 (7000) | 120.5 (3065) | 96.1 (2440) | 5/5 | 1000 (450) |
| THREE STAGE OPTVIEW® (3V) | 3V360 | 142 (3600) | 71.3 (1815) | 47.8 (1210) | 5/5 | 3850 (1750) |
| | 3V405 | 159 (4050) | 77.2 (1965) | 53.7 (1360) | 5/5 | 3850 (1750) |
| | 3V450 | 177 (4500) | 83.1 (2115) | 59.6 (1510) | 5/5 | 3700 (1700) |
| | 3V490 | 193 (4900) | 88.4 (2250) | 64.9 (1645) | 5/5 | 3600 (1650) |
| | 3V525 | 207 (5250) | 93.3 (2370) | 69.8 (1770) | 5/5 | 3400 (1550) |
| | 3V575 | 226 (5750) | 100.8 (2565) | 77.3 (1960) | 5/5 | 2700 (1200) |
| | 3V633 | 249 (6330) | 110.6 (2810) | 87.2 (2210) | 5/5 | 2200 (1000) |
| | 3V688 | 271 (6880) | 120.5 (3065) | 97.0 (2460) | 5/5 | 1200 (550) |

MAST SPECIFICATIONS & RATED CAPACITIES

| Mast Name | | Maximum Fork Height | Overall Height Lowered | Free Lift* | Tilt Angle Forward/Backward | Rated Capacity 24 in (600 mm) Load Center |
|-------------------------------|--------|---------------------|------------------------|-------------|-----------------------------|---|
| | | | | | | CF50/CFU50 |
| | | in (mm) | in (mm) | in (mm) | degrees | lb (kg) |
| TWO STAGE (Wide view 2W) | 2W203T | 80 (2030) | 62.1 (1580) | 4.0 (100) | 10/5 | 5000 (2250) |
| | 2W270 | 106 (2700) | 71.3 (1815) | 4.2 (105) | 5/5 | 5000 (2250) |
| | 2W300 | 118 (3000) | 77.2 (1965) | 4.2 (105) | 5/5 | 5000 (2250) |
| | 2W330 | 130 (3300) | 83.1 (2115) | 4.2 (105) | 5/10 | 5000 (2250) |
| | 2W350 | 138 (3500) | 88.4 (2250) | 4.2 (105) | 5/10 | 5000 (2250) |
| | 2W370 | 146 (3700) | 93.3 (2370) | 4.2 (105) | 5/5 | 5000 (2250) |
| | 2W400 | 157 (4000) | 100.8 (2560) | 4.2 (105) | 5/10 | 5000 (2250) |
| | 2W450 | 177 (4500) | 110.6 (2810) | 4.2 (105) | 5/5 | 4850 (2200) |
| | 2W500 | 197 (5000) | 120.5 (3065) | 4.2 (105) | 5/5 | 4650 (2100) |
| TWO STAGE (Full free 2F) | 2F270 | 105.5 (2700) | 72.0 (1830) | 47.4 (1200) | 5/10 | 5000 (2250) |
| | 2F300 | 117.5 (3000) | 78.0 (1985) | 53.4 (1355) | 5/10 | 5000 (2250) |
| | 2F330 | 129.5 (3300) | 84.0 (2135) | 59.4 (1505) | 5/10 | 5000 (2250) |
| | 2F350 | 137.5 (3500) | 88.0 (2235) | 63.4 (1610) | 5/10 | 5000 (2250) |
| | 2F370 | 145.5 (3700) | 92.0 (2340) | 67.4 (1710) | 5/10 | 5000 (2250) |
| | 2F400 | 157.5 (4000) | 98.0 (2490) | 73.4 (1860) | 5/10 | 4950 (2250) |
| THREE STAGE (Full free 3F) | 3F385 | 152 (3850) | 71.3 (1815) | 46.9 (1190) | 5/5 | 5000 (2250) |
| | 3F430 | 169 (4300) | 77.2 (1965) | 52.8 (1340) | 5/5 | 4850 (2200) |
| | 3F475 | 187 (4750) | 83.1 (2115) | 58.7 (1490) | 5/5 | 4700 (2150) |
| | 3F515 | 203 (5150) | 88.4 (2250) | 64.0 (1625) | 5/5 | 4550 (2050) |
| | 3F550 | 217 (5500) | 93.3 (2370) | 68.9 (1750) | 5/5 | 4000 (1800) |
| | 3F600 | 236 (6000) | 100.8 (2560) | 76.4 (1940) | 5/5 | 3000 (1350) |
| | 3F650 | 256 (6500) | 110.6 (2810) | 86.2 (2185) | 5/5 | 2300 (1050) |
| | 3F700 | 276 (7000) | 120.5 (3065) | 96.1 (2440) | 5/5 | 1200 (550) |
| THREE STAGE OPTVIEW® (3V) | 3V360 | 142 (3600) | 71.3 (1815) | 47.8 (1210) | 5/5 | 4800 (2200) |
| | 3V405 | 159 (4050) | 77.2 (1965) | 53.7 (1360) | 5/5 | 4750 (2150) |
| | 3V450 | 177 (4500) | 83.1 (2115) | 59.6 (1510) | 5/5 | 4700 (2150) |
| | 3V490 | 193 (4900) | 88.4 (2250) | 64.9 (1645) | 5/5 | 4550 (2050) |
| | 3V525 | 207 (5250) | 93.3 (2370) | 69.8 (1770) | 5/5 | 4000 (1800) |
| | 3V575 | 226 (5750) | 100.8 (2560) | 77.3 (1960) | 5/5 | 3000 (1350) |
| | 3V633 | 249 (6330) | 110.6 (2810) | 87.2 (2210) | 5/5 | 2300 (1050) |
| | 3V688 | 271 (6880) | 120.5 (3065) | 97.0 (2460) | 5/5 | 1300 (600) |

| Mast Name | | Maximum Fork Height | Overall Height Lowered | Free Lift* | Tilt Angle Forward/Backward | Rated Capacity 24 in (600 mm) Load Center |
|-------------------------------|-------|---------------------|------------------------|--------------|-----------------------------|---|
| | | | | | | CF55/CFU55 |
| | | in (mm) | in (mm) | in (mm) | degrees | lb (kg) |
| TWO STAGE (Wide view 2W) | 2H270 | 106 (2700) | 70.9 (1805) | 6.7 (170) | 5/10 | 5500 (2500) |
| | 2H300 | 118 (3000) | 76.8 (1955) | 6.7 (170) | 5/10 | 5500 (2500) |
| | 2H330 | 130 (3300) | 82.7 (2105) | 6.7 (170) | 5/10 | 5500 (2500) |
| | 2H350 | 138 (3500) | 88.0 (2235) | 6.7 (170) | 5/10 | 5500 (2500) |
| | 2H370 | 146 (3700) | 92.9 (2360) | 10.2 (255) | 5/10 | 5500 (2500) |
| | 2H400 | 157 (4000) | 100.4 (2550) | 10.2 (255) | 5/10 | 5500 (2500) |
| | 2H450 | 177 (4500) | 110.2 (2800) | 10.2 (255) | 5/5 | 5300 (2400) |
| | 2H500 | 197 (5000) | 120.1 (3055) | 10.2 (255) | 5/5 | 5100 (2300) |
| TWO STAGE (Full free 2F) | 2F270 | 105.5 (2700) | 71.7 (1825) | 45.3 (1150) | 5/10 | 5500 (2500) |
| | 2F300 | 117.5 (3000) | 77.7 (1975) | 51.3 (1300) | 5/10 | 5500 (2500) |
| | 2F330 | 129.5 (3300) | 83.7 (2130) | 57.3 (1455) | 5/10 | 5500 (2500) |
| | 2F350 | 137.5 (3500) | 87.7 (2230) | 61.3 (1555) | 5/10 | 5500 (2500) |
| | 2F370 | 145.5 (3700) | 91.7 (2330) | 65.3 (1655) | 5/10 | 5500 (2500) |
| | 2F400 | 157.5 (4000) | 97.7 (2485) | 71.3 (1810) | 5/10 | 5400 (2450) |
| THREE STAGE (Full free 3F) | 3F385 | 152 (3850) | 76.7 (1950) | 56.1 (1420) | 5/5 | 5500 (2500) |
| | 3F430 | 169 (4300) | 82.6 (2100) | 62.0 (1570) | 5/5 | 5300 (2400) |
| | 3F475 | 187 (4750) | 87.9 (2235) | 67.3 (1705) | 5/5 | 5150 (2300) |
| | 3F515 | 203 (5150) | 92.8 (2360) | 72.2 (1830) | 5/5 | 5000 (2250) |
| | 3F550 | 217 (5500) | 100.3 (2550) | 79.7 (2020) | 5/5 | 4400 (2000) |
| | 3F600 | 236 (6000) | 110.1 (2800) | 89.6 (2275) | 5/5 | 3200 (1450) |
| | 3F650 | 256 (6500) | 120.0 (3050) | 99.4 (2520) | 5/5 | 2300 (1050) |
| | 3F700 | 276 (7000) | 129.8 (3300) | 109.3 (2775) | 5/5 | 1100 (500) |
| THREE STAGE OPTVIEW® (3V) | 3V385 | 152 (3850) | 76.9 (1955) | 49.4 (1250) | 5/5 | 5250 (2350) |
| | 3V430 | 169 (4300) | 82.8 (2105) | 55.3 (1400) | 5/5 | 5200 (2350) |
| | 3V470 | 185 (4700) | 88.1 (2240) | 61.2 (1550) | 5/5 | 5150 (2300) |
| | 3V505 | 199 (5050) | 93.0 (2365) | 66.5 (1685) | 5/5 | 5000 (2250) |
| | 3V555 | 219 (5550) | 100.5 (2555) | 71.5 (1815) | 5/5 | 4400 (2000) |
| | 3V600 | 236 (6000) | 110.3 (2805) | 78.9 (2000) | 5/5 | 3000 (1350) |
| | 3V650 | 256 (6500) | 120.2 (3055) | 88.8 (2255) | 5/5 | 2200 (1000) |
| | 3V700 | 276 (7000) | 130.0 (3305) | 98.6 (2500) | 5/5 | 1150 (500) |

*Without LBR

MAST SPECIFICATIONS & RATED CAPACITIES

| Mast Name | | Maximum Fork Height | Overall Height Lowered | | Free Lift* | Tilt Angle Forward/Backward | Rated Capacity 24 in (600 mm) Load Center | |
|-------------------------------|------------|---------------------|------------------------|--------------|--------------|-----------------------------|---|-------------|
| | | | CFS60 | CF60 | | | CFS60 | CF60 |
| | | | in (mm) | in (mm) | | | lb (kg) | lb (kg) |
| TWO STAGE (Wide view 2W) | 2H270 | 106 (2700) | 70.9 (1805) | 71.3 (1815) | 7.1 (180) | 5/10 | 6000 (2700) | 6000 (2700) |
| | 2H300 | 118 (3000) | 76.8 (1955) | 77.2 (1965) | 7.1 (180) | 5/10 | 6000 (2700) | 6000 (2700) |
| | 2H330 | 130 (3300) | 82.7 (2105) | 83.1 (2115) | 7.1 (180) | 5/10 | 6000 (2700) | 6000 (2700) |
| | 2H350 | 138 (3500) | 88.0 (2235) | 88.4 (2250) | 7.1 (180) | 5/10 | 6000 (2700) | 6000 (2700) |
| | 2H370 | 146 (3700) | 92.9 (2360) | 93.3 (2370) | 10.6 (265) | 5/10 | 6000 (2700) | 6000 (2700) |
| | 2H400 | 157 (4000) | 100.4 (2550) | 100.8 (2560) | 10.6 (265) | 5/10 | 6000 (2700) | 6000 (2700) |
| | 2H450 | 177 (4500) | 110.2 (2800) | 110.6 (2810) | 10.6 (265) | 5/5 | 5800 (2650) | 5850 (2650) |
| 2H500 | 197 (5000) | 120.1 (3055) | 120.5 (3065) | 10.6 (265) | 5/5 | 5550 (2500) | 5650 (2500) | |
| TWO STAGE (Full free 2F) | 2F270 | 105.5 (2700) | 71.7 (1825) | 72.0 (1830) | 45.7 (1160) | 5/10 | 6000 (2700) | 6000 (2700) |
| | 2F300 | 117.5 (3000) | 77.7 (1975) | 78.0 (1985) | 51.7 (1310) | 5/10 | 6000 (2700) | 6000 (2700) |
| | 2F330 | 129.5 (3300) | 83.7 (2130) | 84.0 (2135) | 57.7 (1465) | 5/10 | 6000 (2700) | 6000 (2700) |
| | 2F350 | 137.5 (3500) | 87.7 (2230) | 88.0 (2235) | 61.7 (1565) | 5/10 | 6000 (2700) | 6000 (2700) |
| | 2F370 | 145.5 (3700) | 91.7 (2330) | 92.0 (2340) | 65.7 (1665) | 5/10 | 6000 (2700) | 6000 (2700) |
| | 2F400 | 157.5 (4000) | 97.7 (2485) | 98.0 (2490) | 71.7 (1820) | 5/10 | 5950 (2700) | 6000 (2700) |
| | 2F450 | 177 (4500) | 110.2 (2800) | 110.6 (2810) | 10.6 (265) | 5/5 | 5800 (2650) | 5850 (2650) |
| THREE STAGE (Full free 3F) | 3F385 | 152 (3850) | 76.7 (1950) | 77.2 (1965) | 56.1 (1420) | 5/5 | 6000 (2700) | 6000 (2700) |
| | 3F430 | 169 (4300) | 82.6 (2100) | 83.1 (2115) | 62.0 (1570) | 5/5 | 5800 (2650) | 5800 (2650) |
| | 3F475 | 187 (4750) | 87.9 (2235) | 88.4 (2250) | 67.3 (1705) | 5/5 | 5650 (2550) | 5650 (2550) |
| | 3F515 | 203 (5150) | 92.8 (2360) | 93.3 (2370) | 72.2 (1830) | 5/5 | 5450 (2450) | 5500 (2500) |
| | 3F550 | 217 (5500) | 100.3 (2550) | 100.8 (2560) | 79.7 (2020) | 5/5 | 4650 (2100) | 4750 (2150) |
| | 3F600 | 236 (6000) | 110.1 (2800) | 110.6 (2810) | 89.6 (2275) | 5/5 | 3400 (1550) | 3500 (1600) |
| | 3F650 | 256 (6500) | 120.0 (3050) | 120.5 (3065) | 99.4 (2520) | 5/5 | 2300 (1050) | 2600 (1200) |
| | 3F700 | 276 (7000) | 129.8 (3300) | 130.3 (3310) | 109.3 (2775) | 5/5 | 600 (250) | 1000 (450) |
| | 3F750 | 296 (7500) | 139.7 (3555) | 140.2 (3565) | 119.2 (2970) | 5/5 | 500 (225) | 1000 (450) |
| THREE STAGE OPTVIEW® (3V) | 3V385 | 152 (3850) | 76.9 (1955) | 77.2 (1965) | 49.4 (1250) | 5/5 | 5600 (2550) | 5600 (2550) |
| | 3V430 | 169 (4300) | 82.8 (2105) | 83.1 (2115) | 55.3 (1400) | 5/5 | 5550 (2500) | 5550 (2500) |
| | 3V470 | 185 (4700) | 88.1 (2240) | 88.4 (2250) | 61.2 (1550) | 5/5 | 5450 (2450) | 5450 (2450) |
| | 3V505 | 199 (5050) | 93.0 (2365) | 93.3 (2370) | 66.5 (1685) | 5/5 | 5300 (2400) | 5300 (2400) |
| | 3V555 | 219 (5550) | 100.5 (2555) | 100.8 (2560) | 71.5 (1815) | 5/5 | 4500 (2050) | 4500 (2050) |
| | 3V600 | 236 (6000) | 110.3 (2805) | 110.6 (2810) | 78.9 (2000) | 5/5 | 3200 (1450) | 3300 (1500) |
| | 3V650 | 256 (6500) | 120.2 (3055) | 120.5 (3065) | 88.8 (2255) | 5/5 | 1600 (750) | 1800 (800) |
| | 3V700 | 276 (7000) | 130.0 (3305) | 130.3 (3310) | 98.6 (2500) | 5/5 | 700 (300) | 1000 (450) |
| | 3V750 | 296 (7500) | 139.7 (3555) | 140.2 (3565) | 108.4 (2700) | 5/5 | 600 (250) | 1000 (450) |

| Mast Name | | Maximum Fork Height | Overall Height Lowered | | Free Lift* | Tilt Angle Forward/Backward | Rated Capacity 24 in (600 mm) Load Center | | |
|-------------------------------|-------|---------------------|------------------------|--------------|-------------|-----------------------------|---|-------------|-------------|
| | | | CFS65 | CF70/CF80 | | | CFS65 | CF70 | CF80 |
| | | | in (mm) | in (mm) | | | lb (kg) | lb (kg) | lb (kg) |
| TWO STAGE (Wide view 2W) | 2H280 | 110 (2800) | 76.8 (1955) | 77.2 (1965) | 7.1 (180) | 5/10 | 6500 (2900) | 7000 (3150) | 8000 (3650) |
| | 2H310 | 122 (3100) | 82.7 (2105) | 83.1 (2115) | 7.1 (180) | 5/10 | 6500 (2900) | 7000 (3150) | 8000 (3650) |
| | 2H350 | 138 (3500) | 92.9 (2360) | 93.3 (2370) | 10.6 (265) | 5/10 | 6500 (2900) | 7000 (3150) | 8000 (3650) |
| | 2H380 | 150 (3800) | 100.4 (2550) | 100.8 (2560) | 10.6 (265) | 5/10 | 6500 (2900) | 7000 (3150) | 8000 (3650) |
| | 2H430 | 169 (4300) | 110.2 (2800) | 110.6 (2810) | 10.6 (265) | 5/5 | 6500 (2900) | 6800 (3050) | 7800 (3550) |
| TWO STAGE (Full free 2F) | 2F280 | 110 (2800) | 76.9 (1955) | 77.2 (1965) | 50.0 (1270) | 5/10 | 6500 (2900) | 7000 (3150) | 8000 (3650) |
| | 2F310 | 122 (3100) | 82.8 (2105) | 83.1 (2115) | 55.9 (1415) | 5/10 | 6500 (2900) | 7000 (3150) | 8000 (3650) |
| | 2F350 | 138 (3500) | 93.0 (2365) | 93.3 (2250) | 66.1 (1675) | 5/10 | 6500 (2900) | 7000 (3150) | 8000 (3650) |
| | 2F380 | 150 (3800) | 100.5 (2555) | 100.8 (2370) | 73.6 (1865) | 5/10 | 6500 (2900) | 7000 (3150) | 7950 (3600) |
| THREE STAGE (Full free 3F) | 3F355 | 140 (3550) | 70.9 (1805) | 71.3 (1815) | 45.1 (1145) | 5/5 | 6500 (2900) | 6850 (3180) | 7850 (3550) |
| | 3F400 | 157 (4000) | 76.9 (1955) | 77.2 (1965) | 51.0 (1295) | 5/5 | 6300 (2800) | 6750 (3000) | 7750 (3500) |
| | 3F445 | 175 (4450) | 82.8 (2105) | 83.1 (2115) | 56.9 (1445) | 5/5 | 6100 (2750) | 6600 (2950) | 7550 (3400) |
| | 3F485 | 191 (4850) | 88.1 (2240) | 88.4 (2250) | 62.2 (1575) | 5/5 | 5900 (2650) | 6450 (2900) | 7350 (3350) |
| | 3F520 | 205 (5200) | 93.0 (2365) | 93.3 (2370) | 67.1 (1700) | 5/5 | 5200 (2350) | 6300 (2800) | 7200 (3250) |
| | 3F570 | 224 (5700) | 100.5 (2555) | 100.8 (2560) | 74.6 (1890) | 5/5 | 3900 (1750) | 4900 (2200) | 5600 (2550) |
| | 3F620 | 244 (6200) | 110.3 (2805) | 110.6 (2810) | 84.4 (2140) | 5/5 | 2300 (1050) | 2700 (1200) | 2800 (1250) |
| | 3F670 | 264 (6700) | 120.2 (3055) | 120.5 (3065) | 94.3 (2395) | 5/5 | 600 (250) | 1100 (500) | 1200 (550) |
| THREE STAGE OPTVIEW® (3V) | 3V385 | 152 (3850) | 76.9 (1955) | 77.2 (1965) | 45.7 (1160) | 5/5 | 6250 (2800) | 6400 (2850) | 7300 (3300) |
| | 3V430 | 169 (4300) | 82.8 (2105) | 83.1 (2115) | 51.6 (1310) | 5/5 | 6150 (2750) | 6400 (2850) | 7300 (3300) |
| | 3V470 | 185 (4700) | 88.1 (2240) | 88.4 (2250) | 57.5 (1460) | 5/5 | 6100 (2750) | 6350 (2850) | 7250 (3300) |
| | 3V505 | 199 (5050) | 93.0 (2365) | 93.3 (2370) | 62.8 (1595) | 5/5 | 5900 (2650) | 6200 (2800) | 7100 (3200) |
| | 3V555 | 219 (5550) | 100.5 (2555) | 100.8 (2560) | 67.7 (1715) | 5/5 | 4900 (2200) | 4900 (2200) | 5600 (2550) |
| | 3V600 | 236 (6000) | 110.3 (2805) | 110.6 (2810) | 75.2 (1910) | 5/5 | 2650 (1200) | 2700 (1200) | 2800 (1250) |
| | 3V650 | 256 (6500) | 120.2 (3055) | 120.5 (3065) | 85.0 (2155) | 5/5 | 1500 (700) | 1900 (850) | 2000 (900) |
| | 3V700 | 276 (7000) | 130.0 (3305) | 130.3 (3310) | 94.9 (2410) | 5/5 | 700 (300) | 1100 (500) | 1200 (550) |

*Without LBR

STANDARD EQUIPMENT

VEHICLE MANAGEMENT

- Vehicle Control Module (VCM)
- Operator security PIN access
- Interactive LCD meter panel
 - Hour meter, clock, calendar
 - On-board diagnostics
 - Programmable service reminders
 - Warning lights (oil pressure, transmission fluid, low coolant)
 - Speedometer & F/N/R transmission indicator
 - *LPM*ax low fuel warning (LP/Dual Fuel)
 - Fuel gauge
 - Water temperature gauge

POWERTRAIN / FUEL SYSTEM

- K21 & K25 electronic fuel injected industrial engines
- Electronic engine control system
- Three-way catalytic converter
- Swing-out LP bracket¹
- Maximum travel speed control

BRAKE

- Parking brake with warning buzzer
- Parking brake with transmission interlock

MAST / HYDRAULIC SYSTEM

- Seat-actuated auto-mast lock system
- High visibility carriage¹
- Three-spool control valve with pressure relief

OPERATOR CONVENIENCES

- Full suspension seat with weight & lumbar adjustment
- Overhead guard-mounted LED headlights
- Adjustable tilt steering wheel with memory lever

PROTECTION / SECURITY

- Operator Presence System
 - Auto-mast lock
 - Return-to-neutral
 - Parking brake with warning buzzer
- Horn
- Back-up alarm
- Cushioned stability control
- Five-piece overhead guard

OPTIONAL EQUIPMENT

- *SmoothShift* System
- Starter interlock (low LP)
- Travel speed control (high/low speed selector)²
- Controlled acceleration (power/economy selector)²
- Radiator screen
- Open core radiator
- Air intake pre-cleaner
- Diffusion exhaust muffler
- Swing-down LP bracket¹
- OptiView three-stage mast
- Separate lift & tilt control levers (no charge)
- Electronic fingertip hydraulic controls (seat-mounted)¹
- Automatic fork leveling¹
- Sideshifters (integral or hang-on)
- Tilt cylinder boots & covers
- Bottler's tilt
- Rearview mirrors (glass or impact resistant)
- Rear LED combination light package (turn, stop, back-up)
- Reverse-activated rear LED drive light
- Secure rear grip with horn button¹
- Seatbelt interlocks
- UL safety rating¹
- Self-adjusting back-up alarm
- Fire extinguisher
- Strobe lights
- Rotating beacons
- Steering wheel with spinner knob

¹ Available on select models. Contact your UniCarriers dealer for details.

² Features can be combined. Available with rocker or key switch. Select 'Economy setting always on' for greatest fuel savings.

ERGONOMICS & COMFORT

The Platinum II Series offers a variety of operator conveniences for greater productivity including standard full suspension seat for enhanced shock absorption. Seat includes lumbar support adjustment, weight-adjustment plus operator restraint armrests. Non-cinching seat belt provides greater range of movement. Adjustable tilt steering column includes memory lever. Operator Presence System has Return-to-Neutral and Auto-Mast Lock (automatically locking mast lift and tilt when the operator leaves the seat). Audible and visual warnings notify operator if seat belt is not engaged while traveling, or if parking brake is not applied before exiting truck.

Compact front cowl offers generous leg and foot room. Low profile design provides ample head clearance. Optional secure assist grip is mounted to the rear, right pillar, keeping the operator's hand safely inside the compartment during reverse travel. Can be purchased with an optional swivel seat* that pivots 15° to left and right. [Reduces headroom by 1" (25mm)]. Hydrostatic power steering system reduces operator effort for easier maneuvering and less fatigue. Automotive-style levers simplify repetitive actions for greater operator focus. Exclusive single hydraulic control lever design combines lift and tilt operations into one fluid motion for greater productivity. Separate control levers available at no charge. Optional auto-tilt leveling system assists operator during mast/fork positioning. Optional fingertip control levers with adjustable armrest* provide enhanced comfort.

EFFICIENCY & CONTROL

Welded metal assist grip combined with replaceable metal traction plate bolted to a wide, low entry step, provide secure footing and grip for this often-repeated task. Small steering wheel delivers control and provides operator with clear view of meter panel with visibility to warnings and indicators.

Control of maximum travel speed is adjustable through the meter panel by a trained service technician. Optional Power/Economy controlled acceleration mode adjusts throttle sensitivity to increase fuel efficiency, extend drivetrain life and reduce excessive tire wear. An optional LP tank holder swings out 90°, then pulls down to a manageable height, requiring less force for simplified change out.

Maintenance-free cushioned stability control with rubber dampers located between rear axle and body enhance lateral stability under normal driving conditions.

*Available on select models.

LEGENDARY K-SERIES INDUSTRIAL ENGINES

Platinum II cushion tire models are powered by GCT K21 (2.1 l) and K25 (2.5 l) electronically controlled fuel injected industrial engines which include a bottom-bypass design with thermostat, to eliminate hot spots during start up and prolong engine life. Designed and tested specifically for industrial applications, K21 and K25 engines deliver power and torque (in the low rpm range) more efficiently. An engine protection and warning system is standard, reducing speed in case of excessive heat generation or oil pressure loss. System includes three main components [Engine Control Module (ECM), Vehicle Control Module (VCM), and Multi-function LCD]. The ECM analyzes engine performance parameters and optimizes engine operation for enhanced productivity and lower fuel consumption. The ECM responds to sensor input by controlling basic engine-related functions (proper air/fuel ratio, torque and speed) based on application requirements. The VCM monitors sensors for changing conditions, alerting operator through warning indicators located on the meter panel. Communication among these components occurs through a Controller Area Network (CAN) system.

LOW EMISSIONS

UCA's global commitment to preserving and protecting the environment is evident in our low emission engines. K21/K25 engines include a three-way catalytic muffler and an automotive-type, closed-loop design, providing cleaner exhaust emissions through lower CO (Carbon Monoxide) and combined HC+NOx (Greenhouse Gases) levels. Operators will experience low noise levels during idle and while driving at maximum travel speeds.

LOWER OPERATING COSTS

No tools are required to remove the one-piece diamond tread floorboard, promoting fast, simple access to hydraulic and other serviceable components. Detachable side panels and a wide-open hood provide a roomy area for service technicians. Unique five-piece overhead guard simplifies replacement of individual components if necessary, saving time and money. An opening in the dash panel allows for fast brake fluid level checks. Multi-function LCD panel with on-board diagnostics reduces service time. Programmable service reminder settings keep periodic/planned maintenance on schedule.



UniCarriersAmericas.com

SS-PLAT-II-CU 09-2015 Printed in U.S.A.

UniCarriers® is a registered trademark of UniCarriers Corporation. Platinum and OptiView® are both registered trademarks of UniCarriers Americas. UniCarriers Americas Corporation reserves the right to make product changes relating to colors, equipment, specifications or available options without notice. For more information, contact your UniCarriers representative.

