

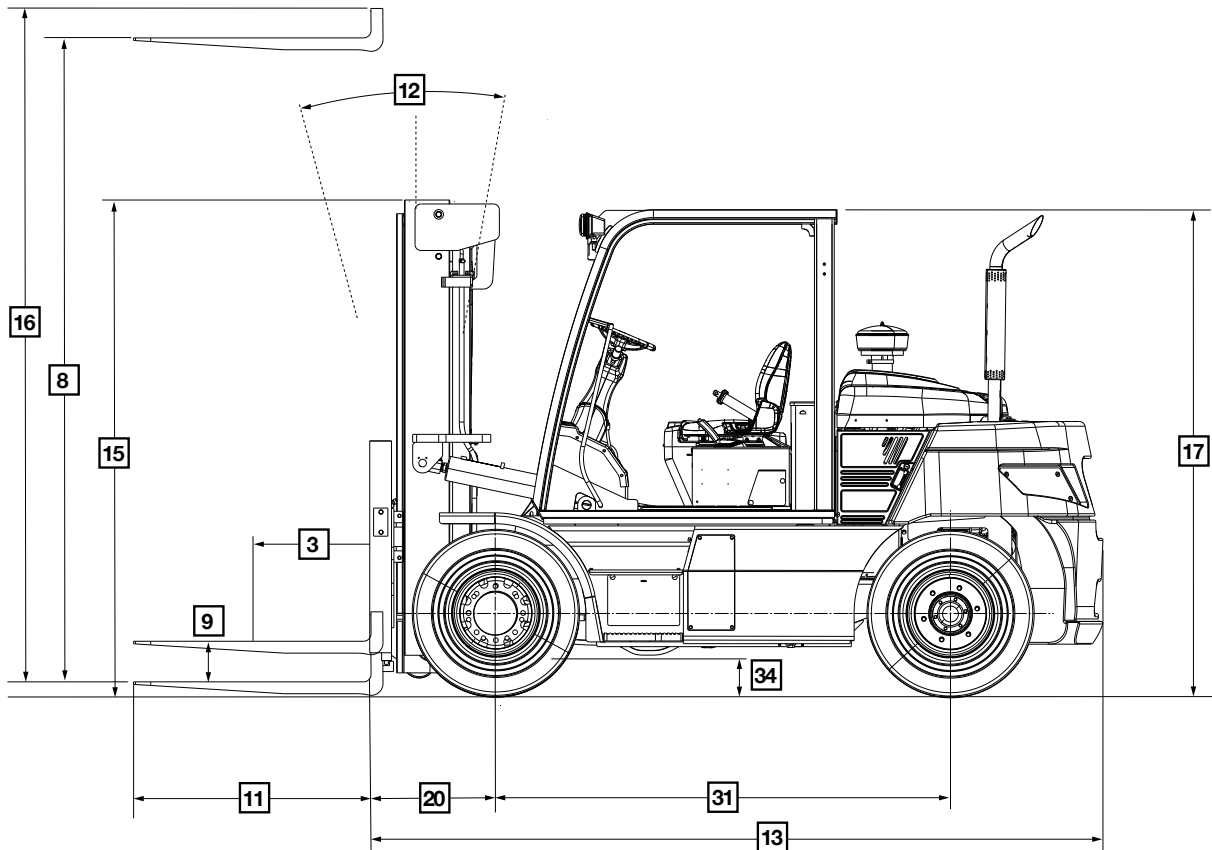
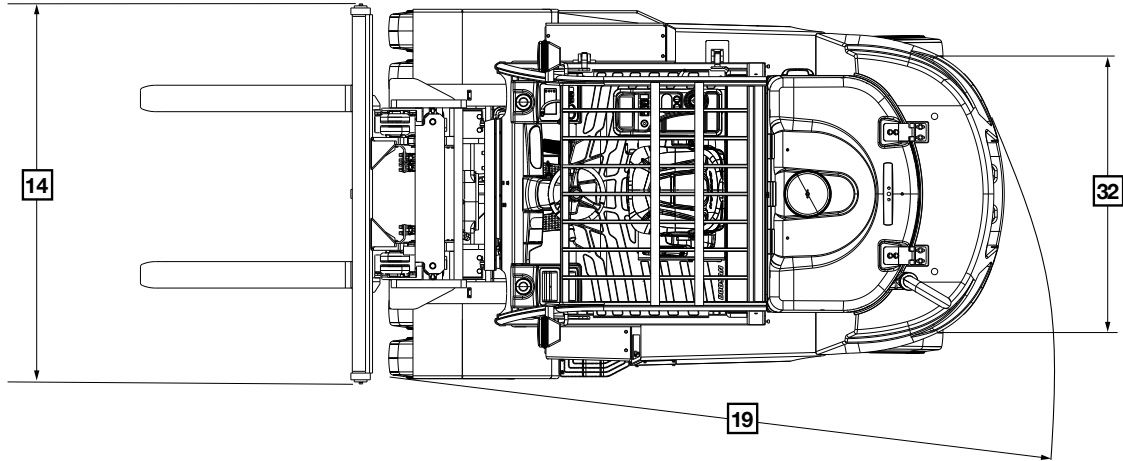
CROWN

C-D

13,000-20,000 lb Capacity
IC Pneumatic Tire

Specifications





C-D Series

Specifications

Characteristics	1	Model		CD60S-7	CD70S-7	CD80S-7	CD90S-7	
	2	Load Capacity	At Rated Load Center	lb (kg)	13,200 (6,000)	15,400 (7,000)	17,500 (8,000)	20,000 (9,000)
	3	Load Center	Distance	in (mm)	24 (600)	24 (600)	24 (600)	24 (600)
	4	Power Type	Elec, Diesel, LPG, Gasoline		Diesel	Diesel	Diesel	Diesel
	5	Operator Type			Sit-down	Sit-down	Sit-down	Sit-down
	6	Tire Type	P:Pneumatic		P	P	P	P
	7	Wheels (x = driven)	Front / Rear		x 4 / 2	x 4 / 2	x 4 / 2	x 4 / 2
Dimensions	8	Maximum Fork Height	with Std 2-Stage Mast	in (mm)	118.1 (3,000)	118.1 (3,000)	122 (3,100)	122 (3,100)
	9	Free Lift		in (mm)	8.1 (205)	8.1 (205)	8.5 (216)	8.5 (216)
	10	Fork Carriage	ISO Class		V	V	V	V
	11	Forks	Length x Width x Thickness	in (mm)	47.2x7.1x2.4 (1,200x180x60)	47.2x7.1x2.4 (1,200x180x60)	47.2x7.1x2.8 (1,200x180x70)	47.2x7.1x2.8 (1,200x180x70)
	12	Tilt of Mast	Forward / Backward	deg	15 / 10	15 / 10	15 / 10	15 / 10
	13	Overall Dimensions	Length to Fork Face	in (mm)	142.4 (3,618)	145.6 (3,698)	158 (4,013)	159 (4,038)
	14		Overall Width	in (mm)	83 (4,198)	83 (4,198)	87.8 (2,230)	87.8 (2,230)
	15		Mast Lowered Height	in (mm)	98.4 (2,500)	98.4 (2,500)	111.6 (2,835)	111.6 (2,835)
	16		Mast Extended Height	in (mm)	170.1 (4,340)	170.1 (4,340)	172.2 (4,374)	172.2 (4,374)
	17		Overhead Guard Height	in (mm)	97.2 (2,455)	97.2 (2,455)	105.2 (2,672)	105.2 (2,672)
	18		Seat Height	in (mm)	57.2 (1,455)	57.2 (1,455)	60.1 (1,527)	60.1 (1,527)
19	Turning Radius	Minimum Outside	in (mm)	133.1 (3,380)	135.0 (3,428)	143.7 (3,649)	144.9 (3,679)	
20	Load Moment Constant		in (mm)	24.9 (632)	24.9 (632)	28.5 (723)	28.5 (723)	
Performance	21	Travel Speed	Loaded / Unloaded	mph (km/h)	14.3 / 15.5 (23 / 33.6)	18.6 / 20.9 (29.9 / 33.6)	19.2 / 22.7 (31 / 36.6)	18.8 / 22.6 (30.3 / 36.5)
	22	Lifting Speed	Loaded / Unloaded	fpm (mm/s)	78.6 / 84.6 (399 / 430)	94.8 / 106.2 (482 / 539)	82.7 / 92.5 (420 / 470)	80.7 / 92.5 (410 / 470)
	23	Lowering Speed	Loaded / Unloaded	fpm (mm/s)	98.4 / 88.6 (500 / 450)	98.4 / 88.6 (500 / 450)	98.4 / 88.6 (500 / 450)	98.4 / 88.6 (500 / 450)
	24	Drawbar Pull	Loaded at 1.0 mph (1.6 km/h)	lb (kg)	10,291 (4,668)	13,660 (6,196)	12,716 (5,768)	12,685 (5,754)
	25	Gradeability	Loaded at 1.0 mph (1.6 km/h)	%	33	39	31	28
Weight	26	Total Weight	Unloaded	lb (kg)	19,709 (8,940)	21,231 (9,630)	25,629 (11,625)	27,062 (12,275)
	27	Axle Load	Loaded, Front / Rear	lb (kg)	29,288 / 3,649 (13,285 / 1,655)	32,309 / 4,354 (14,655 / 1,975)	38,217 / 5,049 (17,335 / 2,291)	41,414 / 5,490 (18,785 / 2,490)
	28		Unloaded, Front / Rear	lb (kg)	8,929 / 10,781 (4,050 / 4,890)	8,598 / 12,632 (3,900 / 5,730)	11,233 / 14,396 (5,095 / 6,530)	11,056 / 16,005 (5,015 / 7,260)
Chassis	29	Tires	Size, Front		8.25x15-14	8.25x15-14	9.00x20-14	9.00x20-14
	30		Size, Rear		8.25x15-14	8.25x15-14	9.00x20-14	9.00x20-14
	31	Wheelbase	Distance	in (mm)	90.6 (2,300)	90.6 (2,300)	98.4 (2,500)	98.4 (2,500)
	32	Tread Width	Front / Rear	in (mm)	62.4 / 61.0 (1,585 / 1,549)	62.4 / 61.0 (1,585 / 1,549)	66.5 / 68.9 (1,689 / 1,750)	66.5 / 68.9 (1,689 / 1,750)
	33	Ground Clearance	Loaded at the lowest point	in (mm)	7.7 (195)	7.7 (195)	10.2 (259)	10.2 (259)
	34		Loaded at center of wheelbase	in (mm)	8.9 (223)	8.9 (223)	13 (330)	13 (330)
	35	Brakes	Service		Disc	Disc	Disc	Disc
	36		Parking		Ratchet	Ratchet	Ratchet	Ratchet
Power Train	37	Battery	Voltage / Ampere	V/AH	24 / 75	24 / 75	24 / 75	24 / 75
	38	Engine	Manufacturer / Model		D1/D34	D1/D34	D1/D34	D1/D34
	39		Rated Output (at rpm)	HP/rpm	108.5 / 2,300	108.5 / 2,300	108.5 / 2,300	108.5 / 2,300
				kW/rpm	80.9 / 2,300	80.9 / 2,300	80.9 / 2,300	80.9 / 2,300
	40		Maximum Torque	ft-lb/rpm	276.6 / 1,600	276.6 / 1,600	276.6 / 1,600	276.6 / 1,600
				n_m/rpm	375 / 1,600	375 / 1,600	375 / 1,600	375 / 1,600
	41		Cycle / Cylinders / Displacements	CC	4 / 4 / 3,409	4 / 4 / 3,409	4 / 4 / 3,409	4 / 4 / 3,409
	42	Transmission	Type		Full Auto	Full Auto	Full Auto	Full Auto
	Number of Speeds (Fwd / Rev)			3 / 3	3 / 3	3 / 3	3 / 3	
43	Operating Pressure	Attachment	psi (bar)	2,030 (140)	2,030 (140)	2,030 (140)	2,030 (140)	

Note: Specification values quoted in this specification sheet have been rounded. Performance may vary due to operation conditions. Products and specifications are subject to improvement and change without prior notices.

C-D Series

Specifications

Mast Chart CD60S-7 (Shaft)

Mast Type	Maximum Fork Height		Maximum Lowered Height		Fully Extended Height		Free Lift		Rated Load Capacities			
					CD60S-7 (Shaft)		With Load Backrest		With Load Backrest		Tilt Angle	
									Double Pneumatic		Double Pneumatic	
									FWD	BWD	LC24in	LC600mm
	in	mm	in	mm	in	mm	in	mm	deg	deg	lb	kg
TL	118	3000	98	2495	168	4275	8	205	15	10	13,200	6000
	138	3500	108	2745	188	4775	8	205	15	10	13,200	6000
	146	3700	112	2845	196	4975	8	205	15	10	13,200	6000
	157	4000	118	2995	208	5275	8	205	15	10	13,200	6000
	177	4500	132	3345	227	5775	8	205	15	10	13,200	6000
	197	5000	142	3595	247	6275	8	205	15	10	13,200	6000
	217	5500	151	3845	267	6775	8	205	15	10	12,900	5875
236	6000	161	4095	286	7275	8	205	15	10	12,450	5675	
TT	179	4550	100	2540	219	5570	62	1580	15	10	12,950	5900
	197	5000	106	2690	237	6020	68	1730	15	10	12,550	5725
	220	5600	114	2890	261	6620	76	1930	15	10	12,100	5500
	238	6050	120	3040	278	7070	82	2080	15	10	11,650	5300

Mast Chart CD70S-7 (Shaft)

Mast Type	Maximum Fork Height		Maximum Lowered Height		Fully Extended Height		Free Lift		Rated Load Capacities			
					CD70S-7 (Shaft)		With Load Backrest		With Load Backrest		Tilt Angle	
									Double Pneumatic		Double Pneumatic	
									FWD	BWD	LC24in	LC600mm
	in	mm	in	mm	in	mm	in	mm	deg	deg	lb	kg
TL	118	3000	98	2495	168	4275	8	205	15	10	15,400	7000
	138	3500	108	2745	188	4775	8	205	15	10	15,400	7000
	146	3700	112	2845	196	4975	8	205	15	10	15,400	7000
	157	4000	118	2995	208	5275	8	205	15	10	15,400	7000
	177	4500	132	3345	227	5775	8	205	15	10	15,400	7000
	197	5000	142	3595	247	6275	8	205	15	10	15,400	7000
	217	5500	151	3845	267	6775	8	205	15	10	15,400	7000
236	6000	161	4095	286	7275	8	205	15	10	15,150	6900	
TT	179	4550	100	2540	219	5570	62	1580	15	10	15,400	7000
	197	5000	106	2690	237	6020	68	1730	15	10	15,400	7000
	220	5600	114	2890	261	6620	76	1930	15	10	14,750	6725
	238	6050	120	3040	278	7070	82	2080	15	10	14,300	6500

C-D Series

Specifications

Mast Chart CD80S-7 (Shaft)

Mast Type	Maximum Fork Height		Maximum Lowered Height		Fully Extended Height		Free Lift		Rated Load Capacities			
					With Load Backrest		With Load Backrest		CD80S-7 (Shaft)			
					Tilt Angle		Load Capacities					
					Double Pneumatic		Double Pneumatic					
	FWD	BWD	LC24in	LC600mm								
	in	mm	in	mm	in	mm	in	mm	deg	deg	lb	kg
TL	122	3100	112	2835	172	4375	8	215	15	10	17,500	8000
	130	3300	116	2935	180	4575	8	215	15	10	17,500	8000
	142	3600	121	3085	192	4875	8	215	15	10	17,500	8000
	161	4100	135	3435	212	5375	8	215	15	10	17,500	8000
	181	4600	145	3685	231	5875	8	215	15	10	17,500	8000
	201	5100	155	3935	251	6375	8	215	15	10	17,500	8000
	220	5600	165	4185	271	6875	8	215	15	10	17,500	8000
	256	6500	186	4725	306	7775	8	215	15	10	16,950	7688
TT	171	4350	104	2630	221	5625	56	1420	15	10	17,500	8000
	189	4800	109	2780	239	6075	62	1570	15	10	17,500	8000
	213	5400	117	2980	263	6675	70	1770	15	10	17,500	8000
	230	5850	123	3130	281	7125	76	1920	15	10	17,300	7900

Mast Chart CD90S-7 (Shaft)

Mast Type	Maximum Fork Height		Maximum Lowered Height		Fully Extended Height		Free Lift		Rated Load Capacities			
					With Load Backrest		With Load Backrest		CD90S-7 (Shaft)			
					Tilt Angle		Load Capacities					
					Double Pneumatic		Double Pneumatic					
	FWD	BWD	LC24in	LC600mm								
	in	mm	in	mm	in	mm	in	mm	deg	deg	lb	kg
TL	122	3100	112	2835	172	4375	8	215	15	10	20,000	9000
	130	3300	116	2935	180	4575	8	215	15	10	20,000	9000
	142	3600	121	3085	192	4875	8	215	15	10	20,000	9000
	161	4100	135	3435	212	5375	8	215	15	10	20,000	9000
	181	4600	145	3685	231	5875	8	215	15	10	20,000	9000
	201	5100	155	3935	251	6375	8	215	15	10	20,000	9000
	220	5600	165	4185	271	6875	8	215	15	10	20,000	9000
	256	6500	186	4725	306	7775	8	215	15	10	19,050	8641
TT	171	4350	104	2630	221	5625	56	1420	15	10	20,000	9000
	189	4800	109	2780	239	6075	62	1570	15	10	20,000	9000
	212	5400	117	2980	263	6675	70	1770	15	10	20,000	9000
	230	5850	123	3130	281	7125	76	1920	15	10	19,400	8850

Standard Features

1. Doosan 4 cylinder turbo Diesel engine compliant to current EPA Tier IV standards
2. 2-3 Speed Powershift transmission with Autoshift feature
3. Cast Iron one piece axle housing
4. Oil-cooled Disc Brakes – Fully enclosed with 5 year 10,000 hr warranty
5. Rugged steer axle with large King Pins and tapered roller bearings
6. Lift and Tilt locking hydraulic valve
7. Carriage Side Thrust rollers
8. Dual Element air cleaner with high air intake
9. Operator design features
 - Wide Spacious floorboard
 - Tilt Steering Column
 - Suspension seat (vinyl or cloth) with high visibility seat belt
 - OSS Operator Sensing System
 - Park brake alarm and seat belt indicator
 - Rear travel handle with horn
 - Low front cowl/dash optimizes site lines
 - Clear view overhead guard and mast design
 - Large Dual Mirrors
 - Front Halogen Work Lights
 - Easy to read gauges monitor engine oil pressure, engine coolant, transmission temp, brake oil level and mast interlock

Optional Equipment

1. Tilt Position Assist
2. Adjustable Top Speed Control
3. Hydraulic Lift Circuit Accumulators
4. Dual Operator Fans
5. Panoramic Mirror
6. Fuel Sensor Light / Alarm
7. 12 Volt auxillary supply
8. Fire Extinguisher
9. Combo Lights with Turn signals
10. Overhead guard covers
11. Enclosed Cab
12. Solid Pneumatic (super-elastic) Tires
13. Various Light Packages
14. Static Strap
15. InfoLink®
16. Quick Disconnect Attachment Couplings

Other Options

1. Audible travel alarm
 2. Flashing Lights
 3. Floor Spotlight
- Safety considerations and dangers associated with audible travel alarms and flashing lights include:
- Multiple alarms and/or lights can cause confusion.
 - Workers ignore the alarms and/or lights after day-in and day-out exposure.
 - Operator may transfer the responsibility for "looking out" to the pedestrians.
 - Annoys operators and pedestrians.

Other Options Available

Contact your local Crown dealer.

Dimensions and performance data given may vary due to manufacturing tolerances. Performance is based on an average size vehicle and is affected by weight, condition of truck, how it is equipped and the conditions of the operating area. Crown products and specifications are subject to change without notice.



Crown Equipment Corporation
 New Bremen, Ohio 45869 USA
Tel 419-629-2311
Fax 419-629-3796
 crown.com

You can count on Crown to sell lift trucks designed for safe operation, but that's only part of the safety equation. Crown encourages safe operating practices through ongoing operator training, safety-focused supervision, maintenance and a safe working environment. Go to crown.com and view our safety section to learn more.

Because Crown is continually improving its products, specifications are subject to change without notice.

Crown, the Crown logo, the color beige, the Momentum symbol, and InfoLink are trademarks of Crown Equipment Corporation in the United States and other countries.

Copyright 2018-2019 Crown Equipment Corporation
 SF19899 Rev. 03-19
 Printed in U.S.A.