

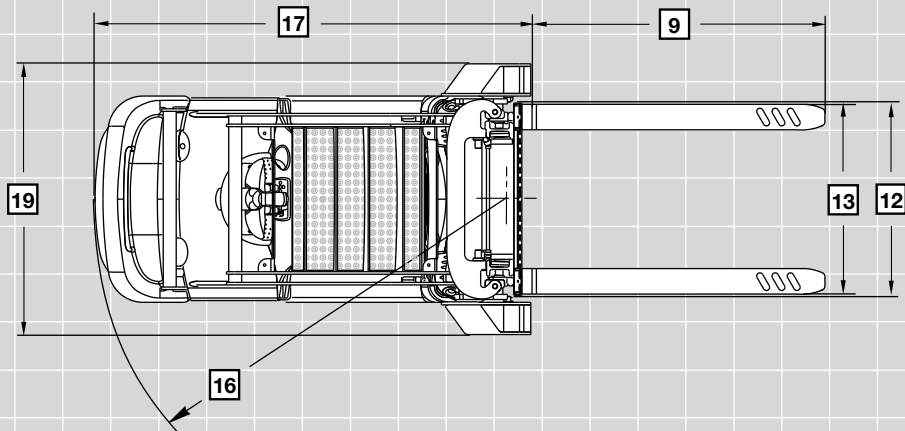
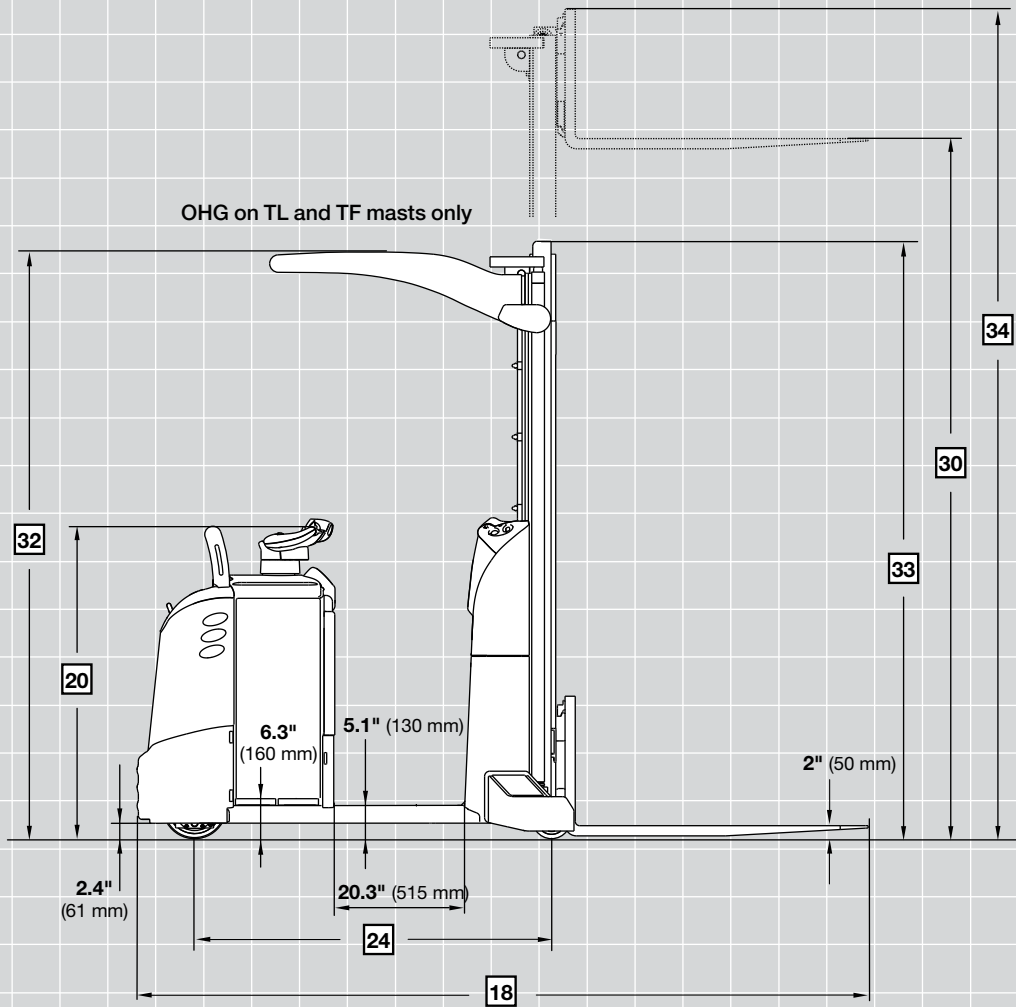
CROWN

MPC 3000 SERIES

Specifications

Order Picker with Mast





MPC 3000 Series

Specifications

			<i>Imperial</i>	<i>Metric</i>		
General Info	1	Manufacturer	Crown Equipment Corporation			
	2	Model	MPC 3040			
	3	Load Capacity	lb kg	2600	1200	
	4	Load Center	in mm	24	600	
	5	Operator Type		Stand-On		
	6	Power	V/ah	24V / 750		
Dimensions	7	Max Battery Size	LxWxH	in mm	30.9 x 13.0 x 30.6	785 x 330 x 777
	8	Battery Weight	Min/Max	lb kg	970/1512	440/686
	9	Forks	Standard LxWxH	in mm	36 x 4 x 1.5	915 x 100 x 40
	10	Forks	Optional Lengths	in mm	30, 39, 42, 45, 48, 54, 60, 72	760, 990, 1065, 1145, 1220, 1370, 1525, 1830
	11	Carriage	ISO2328 Class / Type		2A	
	12	Fork Carriage Width		in mm	29.7	755
	13	Width Across Forks		in mm	8.4 - 29.3	213 - 745
	14	Ground Clearance	Below Mast	in mm	2	51
	15	Ground Clearance	Center Wheelbase	in mm	2.4	61
	16	Turning Radius		in mm	62.9	1597
	17	Headlength		in mm	66.6	1691
	18	Overall Length		in mm	111.1	2821
	19	Overall Width		in mm	41.8	1063
	20	Tiller Arm Height		in mm	45.5	1155
	21	Wheel Size	Front	in mm	9.8 x 3	250 x 75
	22	Wheel Size	Rear	in mm	5.9 x 3.9	150 x 100
	23	Wheels	no. (x-driven) Front / Rear		1x/2	
	24	Wheelbase		in mm	55.2	1402
	25	Service Brake			Electric	
Performance	26	Speed Travel	w/wo Load	mph km/h	3.7/7.8	6.0/12.5
	27	Speed Lift	w/wo Load	fpm m/s	29.5/45.3	.15/.23
	28	Speed Lower	w/wo Load	fpm m/s	66.9/72.8	.34/.37
	29	Max. Gradeability	w/wo Load 5min. Rating	%	9/12	

MPC 3000 Series

Specifications

Model MPC 3040				NT					
Mast	30	Lift Height	in mm	31	800	56	1430	70	1780
	31	Free Lift	w/wo LBR in mm	0	0	28/55	710/1400	41.25/69	1050/1750
	32	OHG Height	in mm	-	-	-	-	-	-
	33	Collapsed Height	in mm	59	1500	75.5	1920	89	2260
	34	Extended Height	w/wo LBR in mm	88.25/60	2240/1500	104/76.75	2640/1950	117.75/90.5	2990/2300
	35	Truck weight	w/o battery lb kg	3089	1401	3139	1424	3166	1436

Model MPC 3040				TL					
Mast	30	Lift Height	in mm	106	2700	114	2900	130	3300
	31	Free Lift	w/wo LBR in mm	6.00	150	6.00	150	6.00	150
	32	OHG Height	in mm	91.25	2315	91.25	2315	91.25	2315
	33	Collapsed Height	in mm	92.5	2350	92.5	2350	92.5	2350
	34	Extended Height	w/wo LBR in mm	154.25/143	3920/3630	162.25/146.75	4120/3730	178/154.75	4520/3930
	35	Truck weight	w/o battery lb kg	3633	1648	3633	1648	3633	1648

Model MPC 3040				TL					
Mast	30	Lift Height	in mm	145	3700	165	4200		
	31	Free Lift	w/wo LBR in mm	6.00	150	6.00	150		
	32	OHG Height	in mm	91.25	2315	101	2565		
	33	Collapsed Height	in mm	92.5	2350	102.25	2600		
	34	Extended Height	w/wo LBR in mm	193.75/166.25	4920/4225	213.5/186	5420/4725		
	35	Truck weight	w/o battery lb kg	3633	1648	3691	1674		

Model MPC 3040				TF					
Mast	30	Lift Height	in mm	106	2700	114	2900		
	31	Free Lift	w/wo LBR in mm	44.75/72.25	1135/1835	44.75/72.25	1135/1835		
	32	OHG Height	in mm	92	2335	92	2335		
	33	Collapsed Height	in mm	92.5	2350	92.5	2350		
	34	Extended Height	w/wo LBR in mm	154.25/123.25	3920/3130	162.25/131	4120/3330		
	35	Truck weight	w/o battery lb kg	3622	1643	3622	1643		

Model MPC 3040				TF					
Mast	30	Lift Height	in mm	130	3300	145	3700		
	31	Free Lift	w/wo LBR in mm	44.75/72.25	1135/1835	44.75/72.25	1135/1835		
	32	OHG Height	in mm	92	2335	92	2335		
	33	Collapsed Height	in mm	92.5	2350	92.5	2350		
	34	Extended Height	w/wo LBR in mm	178/146.75	4520/3730	193.75/162.5	4920/4130		
	35	Truck weight	w/o battery lb kg	3622	1643	3622	1643		

Model MPC 3040				TF					
Mast	30	Lift Height	in mm	149	3800	163	4150	169	4300
	31	Free Lift	w/wo LBR in mm	44.75/72.25	1135/1835	54.5/82	1385/2085	54.5/82	1385/2085
	32	OHG Height	in mm	92	2335	101.75	2585	101.75	2585
	33	Collapsed Height	in mm	92.5	2350	102.25	2600	102.25	2600
	34	Extended Height	w/wo LBR in mm	197.75/170.25	5020/4325	211.5/180.25	5370/4580	217.25/190	5520/4825
	35	Truck weight	w/o battery lb kg	3622	1643	3677	1668	3677	1668

Standard Equipment

1. Crown manufactured AC traction motor
2. e-Gen® Braking System offers regenerative and frictionless electric braking (mechanical braking applies only as parking brake)
3. Electronic steering with the center mounted X10® Handle for precise and effortless control
4. The self-centering X10® Control Handle places all truck functions at the operator's fingertips
5. Crown Access 1 2 3® Comprehensive System Control
6. Comfort backrest includes
 - soft molded lean pad
 - 2 large storage bins
 - backrest grab handles
7. Crown's Information Display
 - 1 line LCD display with 8 characters
 - Battery discharge indicator
 - Keyless start up with PIN code
 - Start up and run time diagnostics
 - 3 selectable traction performance profiles
 - Hour meters including traction motor and run time
 - Access 1 2 3 onboard diagnostic with real time troubleshooting capabilities
8. CAN-Bus technology
9. Ramp hold
10. Low step height of 5.1" (130 mm) with a 20.3" (515 mm) wide walk-through area
11. Suspended floorboard with a non-slip anti-fatigue floor mat with integrated presence sensors
12. Electric power disconnect plug
13. Large storage compartments
 - Large front storage tray
 - Large storage compartments in the backrest
 - 2 large storage bins in the backrest
14. Vulkollan drive tire and load wheels
15. Battery connector SB 175 Gray
16. Battery roll out for both sides
17. Heavy duty power unit
 - Heavy Gauge steel skirt
 - Easily removable reinforced steel covers
 - Top battery access
18. Proportional lifting/lowering provided by a low-noise hydraulic system
19. Plexiglas mast guard
20. Heavy-duty overhead guard (lift height \geq 70" [1800 mm])

Optional Equipment

1. Load backrest
2. Metal mast grill
3. Adjustable fold-down lean seat
4. Lift/lower buttons in backrest
5. Fold down step (for NT mast only)
6. Desktop work surface
7. SB 175 Red, SB 350 Gray, SB 350 Red battery connector
8. Battery retainer sensor
9. Power supply 12V for electronic tools
10. Cold storage conditioning
11. Corrosion protection
12. Front Work Assist® accessory tube
13. Work Assist® Accessories
 - Load tray
 - Foil roll holders
 - Storage pockets
 - Beverage holder
 - Trash bag holder
 - Scan gun holder
 - Small, medium and large clip boards
 - Mounting brackets for WMS terminals
14. Audible travel alarm
15. Strobe light
16. Key switch
17. Key pad
18. Supertrac drive tire
19. InfoLink Ready
20. Paint options
21. Plexiglas protection for overhead guard
22. Mirror
23. Cushioned soft knee pad
24. Backrest grab bar

Electrical

24 volt electrical system managed by Crown's Access 1 2 3 Comprehensive System Control. Virtually maintenance-free AC Crown traction motor provides strong acceleration and control at any speed. Sensors monitor functional parameters including steering, lift height, speed and operator position and adjusts operational settings automatically to suit conditions.

Power Unit

The rugged power unit is designed for tough real-world applications. A heavy gauge steel skirt protects the drive unit while a reinforced steel cover protects all electronics. The uncluttered layout of components provides quick and easy access for servicing.

Operator Area and Controls

Soft and fully suspended floorboard reduces operator fatigue. Wide walk-through compartment with rounded surfaces provides a convenient shortcut even while carrying boxes. Contoured lean pad helps the operator stay centered in the truck while providing a soft contact surface to lean against. Multiple storage pockets provide locations for tools and personal effects. All truck functions are controlled by the award-winning X10 control handle that allows simultaneous operation of all functions with one hand. Electronic steering is standard, providing precise, predictable control. A large information display provides battery discharge level, operational status and service messages to the operator

Hydraulic System

Heavy-duty hydraulic motor with integral pump and reservoir for maximum efficiency and durability delivers fast lift and lower speeds at minimum noise level. The hydraulic control module (HCM) provides quick, smooth initiation and stopping of lift function. Relief valve tuned to capacity protects all components in the hydraulic system.

Mast

High visibility mast design features I-beams and canted rollers. Lift cylinders are positioned in outer I-beam profile for best visibility through the mast and clear view onto the fork tips during load handling. Mast cushioning between staging ensures smooth operation. Heavy-duty mast and chain rollers are sealed and lubricated for life. Cylinder rods are hard-chrome plated with polyurethane seals. Mast design allows easy access to carriage rollers.

Access 1 2 3® Comprehensive System Control

Crown's Access 1 2 3 technology provides optimum performance and control by offering a communications interface for the operator and service technician, intelligent coordination of truck systems and simplified service with advanced diagnostics.

The display includes a full featured on-board service tool so service technicians can actively view inputs and outputs during truck operation. No laptop is required.

Performance tuning can be accessed at the display to customize truck performance for specific applications or operator requirements.

e-GEN® Braking System

The power of the high-torque AC Crown traction motor is used to stop the truck and keep it static until a travel input is requested, even when operating on a gradient. This system eliminates adjustments and wear points for a lifetime of maintenance free use. An automatic parking brake activates if the truck is stopped and the operator leaves the platform or power is disconnected.

Work Assist® Accessories

A comprehensive range of Work Assist accessories are available to support a wide range of picking and administrative tasks. These rugged tools can be easily combined and positioned in the location best suited to the application and the user. Customer accessories can also be added using the universal clamp and adapter plate.

Other Options

1. Audible travel alarm
2. Flashing lights

Safety considerations and dangers associated with audible travel alarms and flashing lights include:

- Multiple alarms and/or lights can cause confusion.
- Workers ignore the alarms and/or lights after day-in and day-out exposure.
- Operator may transfer the responsibility for "looking out" to the pedestrians.
- Annoys operators and pedestrians.

Dimensions and performance data given may vary due to manufacturing tolerances. Performance is based on an average size vehicle and is affected by weight, condition of truck, how it is equipped and the conditions of the operating area. Crown products and specifications are subject to change without notice.



Crown Equipment Corporation
New Bremen, Ohio 45869 USA
Tel 419-629-2311
Fax 419-629-3796
crown.com

You can count on Crown to build lift trucks designed for safe operation, but that's only part of the safety equation. Crown encourages safe operating practices through ongoing operator training, safety-focused supervision, maintenance and a safe working environment. Go to crown.com and view our safety section to learn more.

Because Crown is continually improving its products, specifications are subject to change without notice.

Crown, the Crown logo, the color beige, the Momentum symbol, Access, Access 3, Access 1 2 3, eGEN, InfoLink, and Work Assist are trademarks of Crown Equipment Corporation.

Copyright 2006-2016 Crown Equipment Corporation
SF19507 08-16
Printed in U.S.A.